

READ AND SAVE THESE INSTRUCTIONS

DRI-STEEM CRU[®] SERIES

ELECTRIC STEAM HUMIDIFIERS

Installation Instructions and Maintenance Operations Manual

**For Toll-Free Customer Support,
Call: 1-800-328-4447**



**UL RECOGNIZED
COMPONENT**



**CUL RECOGNIZED
COMPONENT**



DRI-STEEM[®]
HUMIDIFIER COMPANY

TABLE OF CONTENTS

TO THE PURCHASER AND THE INSTALLER

Thank you for purchasing our CRU® Series humidification equipment. We have designed and built this equipment to give you total satisfaction and many years of trouble-free service. Proper installation and operating practices will assure you of achieving that objective. We therefore urge you to become familiar with the contents of this manual.

DRI-STEEM Humidifier Company

CRU Series Humidifiers	3
Installation	4
Specifications, Capacities, and Dimensions	6
Start-up and Operation	8
Maintenance	10
Trouble-Shooting Guide	11
Replacement Parts	13
Maintenance Service Record	19
Two-Year Limited Warranty	20

CRU® SERIES HUMIDIFIERS

Figure 3-1: The CRU Humidifier

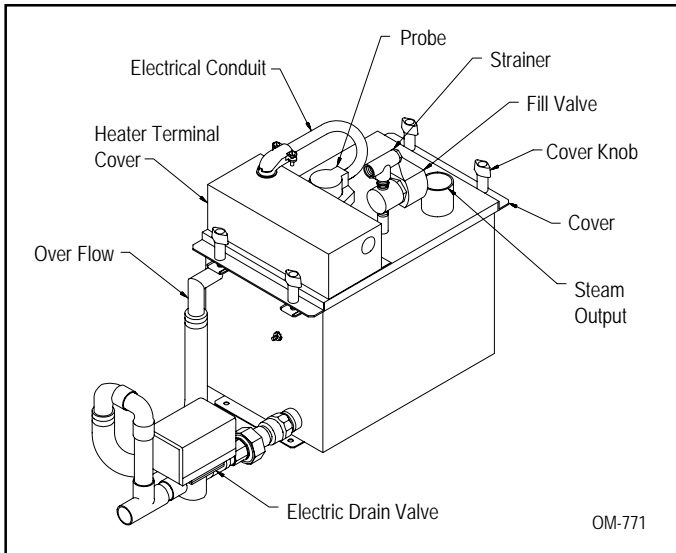
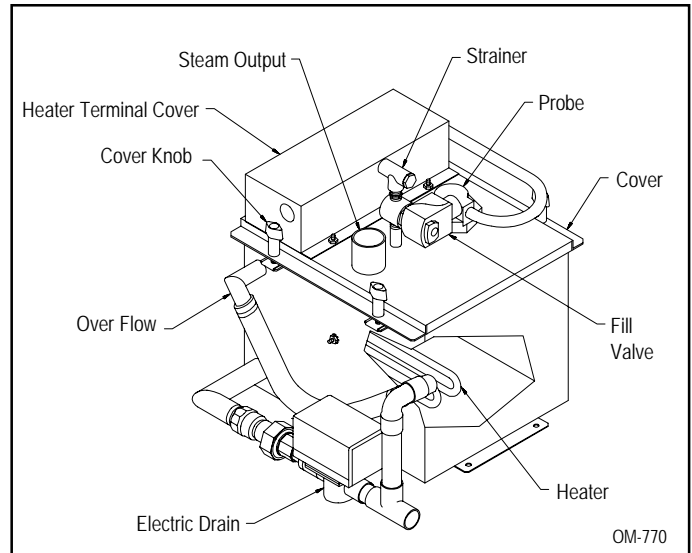


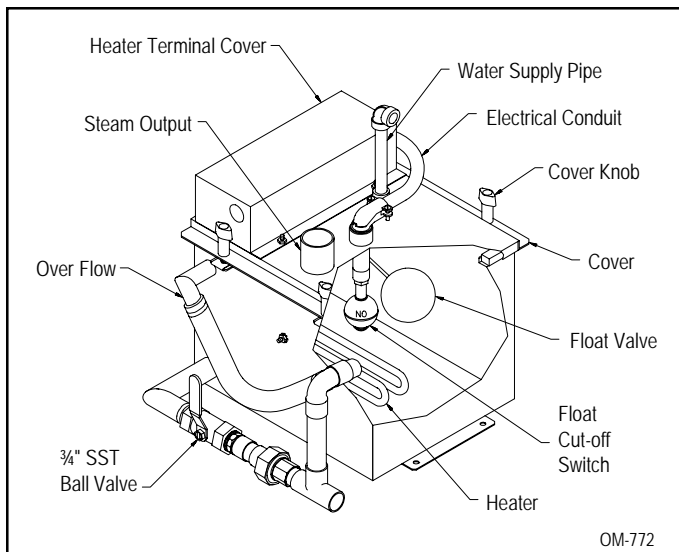
Figure 3-2: The CRUV Humidifier
(CRUV 2-16 shown, CRUV 25, 34 not shown)



CRU Series Humidifiers

This humidifier is designed to be used with either softened or unsoftened water (softened water will greatly reduce humidifier maintenance and improve overall system performance). The probe-type level control system requires water conductivity of at least 100 micromhos/cm (2 grains/gal) to function, and therefore, will not operate with demineralized water. For humidification using demineralized water, see CRUV®-DI below.

Figure 3-3: The CRUV-DI Humidifier
(CRUV-DI 2-16 shown, CRUV-DI 25, 34 not shown)



CRUV®-DI Humidifiers

The evaporating chamber of this humidifier is constructed of corrosion-resistant stainless steel alloy to resist the corrosive effects of mineral-free water. Since the CRUV-DI humidifier is designed for use with deionized or RO demineralized water, there is no need to clean the unit, although an annual inspection of the evaporating chamber is recommended.

INSTALLATION

Locate the CRU® humidifier near an electric power source, water supply and a drain.

In an Air-Conditioning Unit

When installing a humidifier inside an air conditioning unit, provide adequate support; allow easy access for removing and servicing the evaporating chamber, and provide adequate clearance to install the vapor hose and dispersion tube (see figure 4-1).

In a Duct

When installing the dispersion tube in a duct, allow for a continuous pitch of the vapor hose back to the evaporating chamber. Otherwise, use a water seal and drain (see examples in figures 4-2 and 5-1). The dispersion tube can also be placed vertically in the duct with some models (see figure 5-2).

Place the electrical sub-panel in a grounded protective metal enclosure and mount in a dry and accessible location.

If draining the evaporating chamber by gravity is not possible, use a small condensate lift pump, rated to pump 212° F water.

Examples of Installation in an Air Stream

Figure 4-1: Installation in an Air-Conditioning Unit

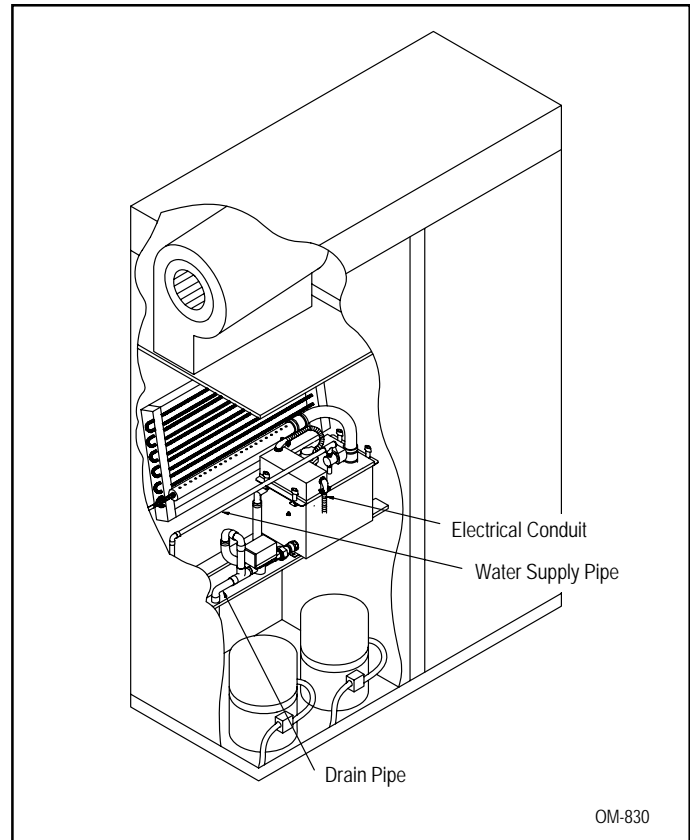
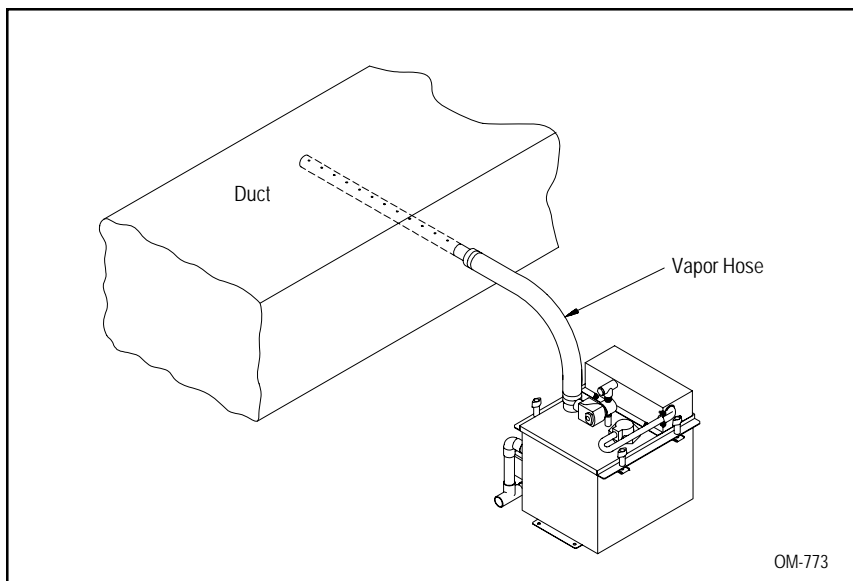


Figure 4-2: Horizontal Dispersion Tube



Horizontal mounting of dispersion tube in a duct, connected via vapor hose to a wall-mounted CRU Series humidifier.

INSTALLATION

Piping

Water make-up piping should be of corrosion-resistant, code-approved material (copper, steel, or plastic). The final connection size is 1/4" NPT. In cases where water hammer is possible, a shock arrestor should be considered.

Drain piping should be of code approved material (copper, steel, or plastic rated for 212°F minimum). The 3/4" O.D. copper sweat connection should not be reduced in size.

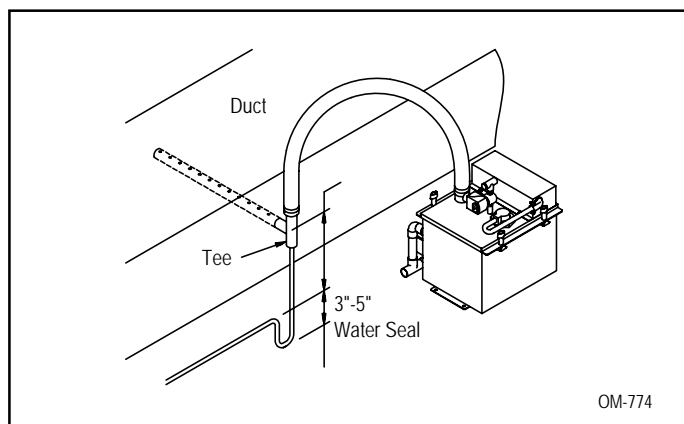
If there is no sewer available for drainage, the unit can be piped for manual drainage. Consult factory for instructions.

Wiring

The CRU® is designed for a single source of electric power supply. Wiring must meet all electrical codes, the current characteristics, and capacity requirements should be checked against the nameplates. The electrical subpanel should be mounted in a location convenient for service. Wiring must be in accordance with all governing codes, and with the humidifier wiring diagram. The diagram is shipped loose with the unit. The wiring between the control cabinet and humidifier must be rated at 105°C.

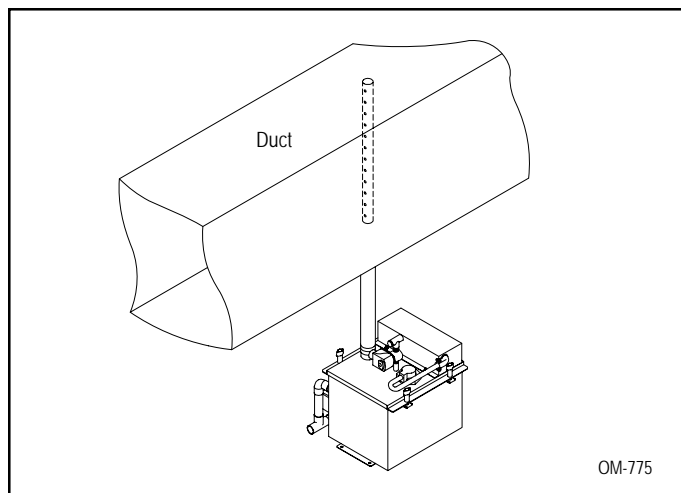
Caution: Only qualified electrical personnel should perform installation procedures.

Figure 5-1: Horizontal Dispersion Tube Lower Than Humidifier



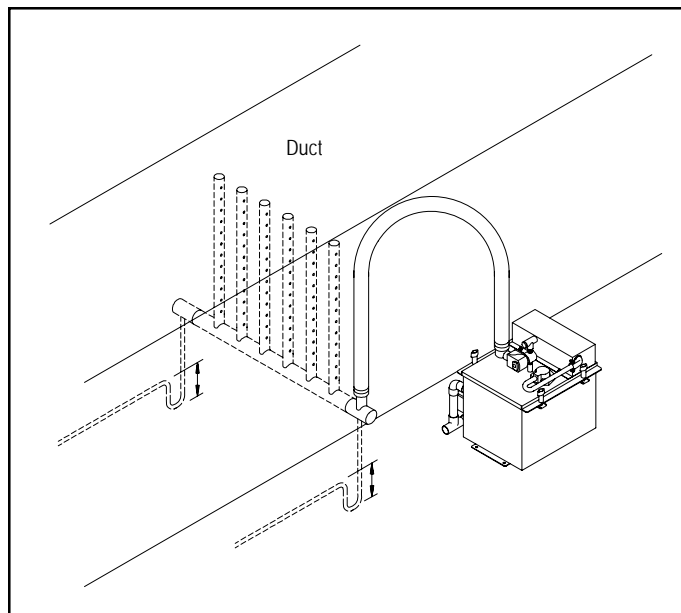
When horizontally mounting the dispersion tube in an air stream that is located lower than the CRU Series humidifier a water seal (to prevent steam from escaping at the open drain) must be provided in the drain line and line extended to open drain, as shown, to drain the condensate. **A multiple dispersion tube bank must be used with CRUV-34 because of its high output (see figure 5-3).**

Figure 5-2: Vertical Dispersion Tube



The dispersion tube can be mounted vertically in the duct. Note: When dispersion tube is more than 10 feet from unit, insulated, 1 1/2" diameter minimum rigid tubing or pipe should be used instead of vapor hose. **This application is not recommended for CRUV-16, -25, and -34.**

Figure 5-3: RAPID-SORB™ Rapid Absorption Tube Bank



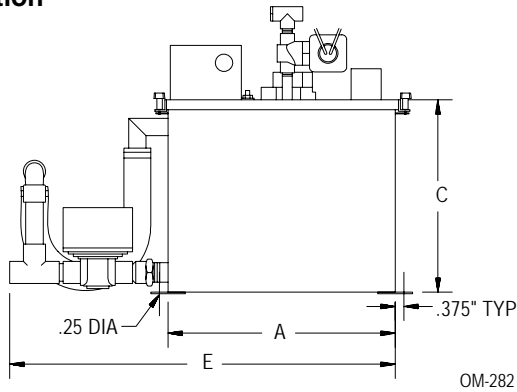
When rapid absorption is extremely critical, a RAPID-SORB™ multiple-tube bank can provide 100% steam absorption within three feet or less - at any duct temperature. **Also required for CRUV-34.**

For complete information on calculating the number of dispersion tubes required to satisfy steam absorption distance requirements, consult your sales representative, the DRI-STEEM factory, or use DRI-STEEM's DRI-CALC® II Humidification Sizing and Selection Software.

SPECIFICATIONS, CAPACITIES, AND DIMENSIONS

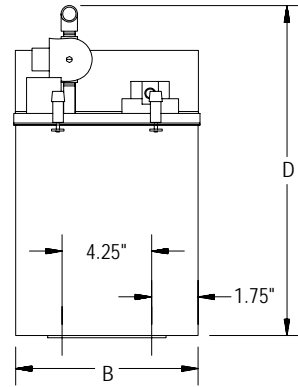
CRU Series Mechanical/Electrical Specifications

Side Elevation



OM-282

End Elevation



OM-283

NOTE: The "CRU" differs from the "CRUV" in evaporating chamber size, heater KW and arrangement of drains and overflow plumbing.

Table 6-1: CRU Dimensions (in inches)

0 RGHO		\$	%	&	'	(
CRU - 2 & 4	in.	11.25	7.75	8.50	12.50	21.25
	mm	285	195	215	315	540
CRU - 6 & 8	in.	14.25	7.75	9.50	13.50	24.25
	mm	360	195	240	345	615

Table 6-2: CRU Mechanical/Electrical Specifications and Capacities

	&5 8	&5 8	&5 8	&5 8
2 X16XVKRXU ØV J DQJ	6/7/2.7	12/1.4/5.4	18/2.2/8.2	24/2.9/10.9
2 SHUDMJ ZW ØV NJ	42/19	43/19.5	53/24.1	53/24.1
6 KISSIQ ZW ØV NJ	31/14.1	32/14.5	35/15.9	35/15.9
\$ P SV DW Y °	16.7	-	-	-
Y °	9.6	19.2	28.8	38.5
Y °	8.0	16.0	24.0	31.9
Y °	8.3	16.7	25.0	33.3
Y °	4.2	8.3	12.5	16.7
Y °	3.3	6.7	10.0	13.3
Y °	-	16.7**	25.0**	33.3**
Y °	-	14.4**	21.7**	28.9**
Y °	-	8.7**	13.0**	17.3**
Y °	-	7.2**	10.8**	14.4**
Y °	-	5.8**	8.7**	11.5**
. :.	2.0	4.0	6.0	8.0

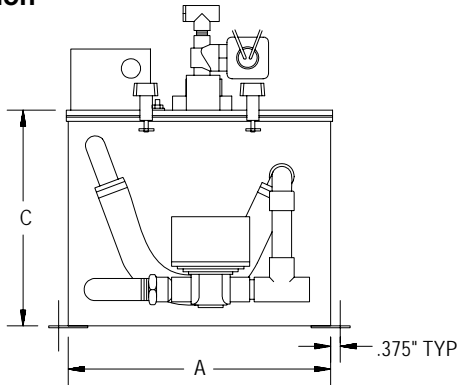
* Subtract 9 lbs. (4 kg) from total weight for models without pre-wired subpanel.

** For wire sizing, highest leg draw is shown due to current imbalance in some cases.

SPECIFICATIONS, CAPACITIES, AND DIMENSIONS

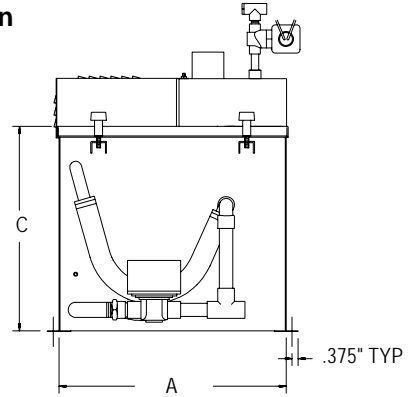
CRUV® Series Mechanical/Electrical Specifications

Side Elevation



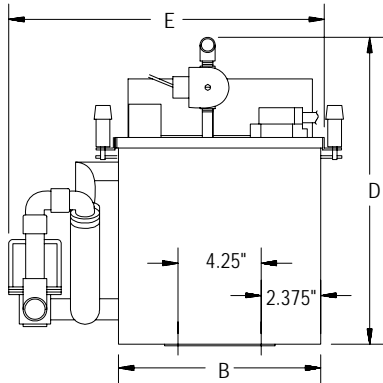
OM-285

Side Elevation
(CRUV 25,34)



OM-759

End Elevation



OM-286

Table 7-1: CRUV Dimensions (in inches)

Ø RGHØ		\$	%	&	'	()	*	+
CRUV/CRUV-DI - 2 & 4	in.	14.35	15.50	9.00	7.88	11.50	11.44	2.38	6.6
	mm	364	394	229	200	292	291	60.33	167.7
CRUV/CRUV-DI - 6, 8 & 10	in.	14.35	16.00	14.38	8.88	16.88	12.94	5.05	9.3
	mm	364	406	365	225	429	329	128.27	236.2
CRUV/CRUV - 12 & 16	in.	14.35	16.00	14.38	10.68	16.88	14.75	5.05	9.3
	mm	364	406	365	271	429	375	128.27	236.2
CRUV/CRUV - 21, 25, 30 & 34	in.	14.35	16.00	14.38	12.25	16.88	16.25	5.05	9.3
	mm	364	406	365	311	429	413	128.27	236.2

NOTE: Charts shown here can be used for CRUV-DI sizing.

Table 7-2: CRUV Mechanical/Electrical Specifications and Capacities

	&5 8	&5 8	&5 8	&5 8
2 X V S X W K R X U Ø V J D O U J	6/1.7/2.7	12/1.4/5.4	18/2.2/8.2	24/2.9/10.9
2 S H D M Q J Z W Ø V N U	42/19	43/19.5	53/24.1	53/24.1
6 K I S S I Q J Z W Ø V N U	31/14.1	32/14.5	35/15.9	35/15.9
\$ P S V D W	16.7	-	-	-
Y °	9.6	19.2	28.8	38.5
Y °	8.0	16.0	24.0	31.9
Y °	8.3	16.7	25.0	33.3
Y °	4.2	8.3	12.5	16.7
Y °	3.3	6.7	10.0	13.3
Y °	-	16.7**	25.0**	33.3**
Y °	-	14.4**	21.7**	28.9**
Y °	-	8.7**	13.0**	17.3**
Y °	-	7.2**	10.8**	14.4**
Y °	-	5.8**	8.7**	11.5**
- :	2.0	4.0	6.0	8.0

* Subtract 9 lbs (4 kg) from total weight for models without pre-wired subpanel.

** For wire sizing, highest leg draw is due to current unbalance in some cases.

START-UP AND OPERATION

Start-up and Checkout Procedures

After the system has been properly installed and connected to both electrical and water supplies, it may then be started.

Mounting

Check mounting to see that the unit is level and securely supported before filling with water.

Piping

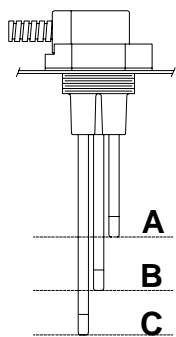
Verify that all piping connections have been completed as recommended and that water pressure is available.

Electrical

Verify that all wiring connections have been made in accordance with all governing codes and the enclosed wiring diagram.

Caution: Only qualified personnel should perform start-up procedure.

Figure 8-1: Electronic Probe Control for Maintaining Proper Water Level (CRU® and CRUV®)



A simple three-probe conductivity sensor cycles a solenoid-operated water fill valve to maintain the proper water levels.

The CRU® Series humidifiers are available with either the standard LW 415 Electronic Water Level Control Module or the optional VAPOR-LOGIC₂ microprocessor control system. If your system is equipped with the VAPOR-LOGIC₂ system, see the *VAPOR-LOGIC₂ Operations and Maintenance Manual* for more information. Then continue reading this manual beginning at the maintenance section on page 10.

LW415 Electronic Water Level Control Module

When the power is activated, the solenoid-operated water fill valve will open, filling the evaporating chamber. Filling will continue until water reaches level A, at which time the fill valve will close. To ensure that a water seal is created in the overflow hose, disconnect probe plug and cable from probe rod assembly (located on cover), allowing the fill valve to re-energize and overflow humidifier tank. This process will take only seconds; probe plug and cable must then be reconnected. A call for humidity will then energize the heating element.

Water Refill

During operation, when the water line drops below level B the fill valve opens, and remains open until the water line returns to level A.

Heater Protection

Should the water line ever drop below level C, the heaters are de-energized and remain OFF until the water line has been restored to level C. This feature provides heater protection in the event of a low-water condition.

Surface Skimmer

Each time the evaporating chamber refills, the upper 1/4" of water is immediately drained off through the skimmer. This drains away the mineral residue formed during the previous evaporating cycle. This skimming action effectively removes most of the mineral precipitate in much the same way as a surface blowdown does in a steam boiler. This simple device greatly extends the time between evaporating chamber cleanings.

Drain/Flush Feature

This control module contains an integral electronic timer which tracks the humidifying time of the unit. When this accumulated time reaches what has been set in the timer, the drain/flush cycle is activated.

Upon activation, the following sequence occurs:

1. The drain valve opens and begins to drain surface water and minerals from the evaporating chamber.
2. When the height of the water drops to the "REFILL" level, the fill valve opens.
3. The drain and fill valves remain open for ten more minutes, flushing the chamber.

START-UP AND OPERATION

4. The drain valve then closes, the chamber refills, and the fill valve closes. The timer resets and the unit resumes normal operation.

The electronic timer comes factory-set for drainage after 40 hours of operation. Alternate settings of 20 hours and 80 hours are available. See wiring diagram(s) attached to unit for timer board location and instructions for changing the timer setting.

Test Cycling the Drain/Flush System

The level control board contains four pairs of terminal pins which are marked 20, 40, 80 and "T" (TEST). To test:

1. Pull the pin block off the pair of pins in use, move it to the "T" pair, and push it on.
2. Set the humidistat high enough so that unit will remain "on call" for at least one hour.
3. After about 35 minutes of operation, activation will take place, causing the drain valve to open. The water level will then drop to level B (see figure 8-1 on page 8) and cause the fill valve to open. Both valves will remain open for about 10 minutes.
4. The drain valve will then close, and the water level will rise to level A (see figure 8-1 on page 8), causing the fill valve to close.
5. Once the test cycle is complete, move the pin block back to the desired pair of pins. **Failure to do so will result in a drain/flush cycle every 35 minutes.**

CRUV® Make-up Water Piping

If the water pressure is above 60 psi and/or water hammer would be objectionable, a pressure-reducing valve or shock arrester should be installed. Even though the humidifier has an internal 1" air gap, some local codes may require a vacuum breaker.

Important: Minimum water supply pressure is 25 psi.

CRUV®-DI Water Level Control System

The basic water level system and circuit for heater

protection in the event of a low-water condition is common to all DI humidifiers and can be found in the wiring diagram shipped with the unit.

CRUV-DI Start-Up Procedure

- a) Adjust humidistat to "call" setting.
- b) Open shut-off valve on water supply line. Unit should begin filling with water through the fill valve.
- c) Shortly before the fill valve shuts off, the float operated heater cut-off switch will "make." When this switch makes, the heating element contactor(s) will be actuated. A time delay relay circuit prevents contactor chatter due to bouncing of heater cut-off float.
- d) Check heater cut-off circuit.
 1. Close manual valve on water supply.
 2. Open drain valve and start draining unit.
 3. When water level drops past switching level on the heater cut-off float, the heating element contactor(s) will drop out.
 4. When step 3 has been satisfactorily completed, close drain valve.
- e) Check function of field-installed safety controls, such as the fan proving switch. Contactor(s) should drop out when any proving switch is "open."
- f) Check heater draw by testing and recording voltage and amperage in each phase. Readings should match name plate readings; name plate is located on the humidifier housing.
- g) Inspect installations for steam or air leaks while operating the humidifier. Any leaks should be sealed.

Caution

Overtightening will cause leaks.

All cover knobs are turned down at the factory until the bottom of the knob makes contact with the flange, then one half turn further. If more compression is required, turn all knobs a half turn more. Do not turn knobs more than a half turn before identifying that a leak still exists.

MAINTENANCE

CRU® and CRUV® Humidifiers (Non-DI humidifiers with either the LW 415 or VAPOR-LOGIC₂ Control Systems)

Mineral Precipitate

As evaporation takes place in the CRU humidifier, some of the minerals dissolved in the water precipitate out and float on the water surface. The minerals not removed by the skimmer will settle to the bottom of the evaporating chamber.

Cleaning the Evaporating Chamber

The heating element itself is self-cleaning. The mineral buildup on the element flakes off after reaching a thickness of about 1/16", and settles to the bottom of the chamber.

Long heater element life can be expected when the operation of the humidifier is observed for a few weeks following initial start-up. By observing the mineral build-up rate, the frequency of both drain/flush use and manual cleaning can be determined and adjustments made.

Cleaning once or twice a season is usually adequate, assuming the water has no more than 15 grains of hardness per gallon.

CAUTION: Before this mineral scale builds up on the underside of the heating element, it must be removed. Failure to do so may result in premature heater burn-out.

The CRU humidifier is designed for convenient cleaning and maintenance.

To Service:

1. Shut off all electrical power to humidifier. Drain evaporating chamber by manually opening DRAIN valve. Do this by moving lever on valve to MANUAL position and lock in place.
2. Disconnect flexible vapor hose from evaporating chamber.
3. Unscrew utility knobs and remove cover.
4. Disconnect overflow hose and drain valve.
5. Remove evaporating chamber and clean.
6. Unscrew probe-rod assembly. Scale should flake off easily. Build-up on tips should be scraped off to remove any mineral residue.
7. Replace chamber cover, making sure chamber is sealed tight.

8. Reconnect flexible vapor hose, overflow hose and drain valve.
9. Verify drain valve lever is in AUTO position.
10. The CRU humidifier is again ready to humidify when power is restored.

Off-Season Shutdown

1. Switch off power.
2. Turn off water supply to make-up valve.
3. Drain evaporating chamber and clean if necessary (see steps 1 through 9 above).
4. Leave chamber dry, power OFF and water shut-off valve closed until the next humidification season.

CRUV®-DI Humidifier

To Service

1. Shut off electric power to unit
2. Shut off water supply to make-up valve.
3. Allow time for evaporating chamber to cool.
4. Make sure evaporating chamber is drained by manually opening the drain valve.
5. Check condition of the overflow hose.
6. Remove evaporating chamber as follows:
Disconnect flexible vapor hose on top of evaporating chamber. Close drain valve. Disconnect unit from drain. **DO NOT DISCONNECT ANY OF THE ELECTRICAL CONDUITS.**
7. Unscrew utility knobs and remove cover.
8. Check operation of float valve and low-water cut-out.
9. Inspect heating elements.
10. Inspect evaporating chamber and clean if necessary.
11. Inspect cover gasket, and replace if necessary.
12. Replace chamber cover.
13. Reconnect all flexible hoses.
14. Verify drain valve is in the closed position.
15. Open water supply valve and turn on electric power.
16. CRUV-DI humidifier is again ready to humidify.

Off-Season Shutdown Procedure

1. Switch off electrical power to unit.
2. Check overall appearance of unit.
3. Shut off water supply to make-up valve.
4. Drain evaporating chamber by manually opening drain valve.*
5. Visually check electrical components of subpanel.
6. Leave chamber dry, power off, and water shut-off valve closed until the next humidification season.

* With VAPOR-LOGIC₂ option, the evaporating chamber is automatically drained after 72 hours without a call for humidity.

CRU® TROUBLE-SHOOTING GUIDE (LW415 Electronic Water Level System Only)*

PROBLEM	CONTROL PANEL LIGHTS			POSSIBLE CAUSE	RECOMMENDED ACTION
	FILL	READY WATER	DRAIN		
Humidifier will not heat	Off	Off	Off	Control transformer	Verify control voltage across secondary leads of transformer. Reset transformer circuit breaker.
	Off	On	Off	Humidistat is not calling	Set humidistat to call. Inspect for faulty humidistat.
				Safety controls open	Check safety controls, air flow switch, high limit humidistat, etc.
				Faulty control board	Verify control voltage between terminals H & N.
			Probe head deterioration**	Replace probe head.	
Humidifier will not fill	On	Off	Off	No water pressure at valve.	Check water supply/shut off valves.
				Faulty water fill valve	Verify action of fill water solenoid valve by turning control module switch from standby to normal op. Audible click should be heard as solenoid operates.
				Plugged strainer	Check strainer.
				Plugged valve	Check valve.
			Faulty control board	Verify control voltage across terminals H & N.	
Humidifier does not stop filling	On	Off	Off	Lack of tank to probes electrical continuity. Water conductivity 100 micromhos/cm (2 gr/gal) min.	Jumper wires brown to yellow. If water stops, verify tank ground; check water supply conductivity; then consult factory.
				Fill valve is stuck open	Check valve for foreign matter.
				Drain Valve not closed Fill valve installed backward	Check for correct water flow through valve note arrow.
	On	Off	On	Auto-drain mode	10 Minute must complete first.
Low output	Off	On	Off	Electric drain valve not seating	Correct cause of leakage or replace valve.
	Off	On	Off	Fill valve is stuck open	Check valve for foreign matter.
Unit short cycles	On & Off	On	Off	Probes may be incorrectly wired or need cleaning	Confirm that unit is wired per diagram. Clean probe rod tips with steel wool.
Reduced or no output even though water is at the proper level	Off	On	Off	Heater malfunctioning	Verify that proper voltage is being applied to heaters. Check heater (amp draw and compare to wiring diagram ratings).
				Malfunctioning control system	Heater contactor not functioning--replace. Service fuses blown. Auxiliary limit controls not allowing system to operate (dust humidistat, air flow proving switch, etc.). Reset, replace or calibrate as required. Faulty or inaccurate humidistat, replace or calibrate.

*For VAPOR-LOGIC₂ trouble-shooting, see the *VAPOR-LOGIC₂ Operations and Maintenance Manual*.

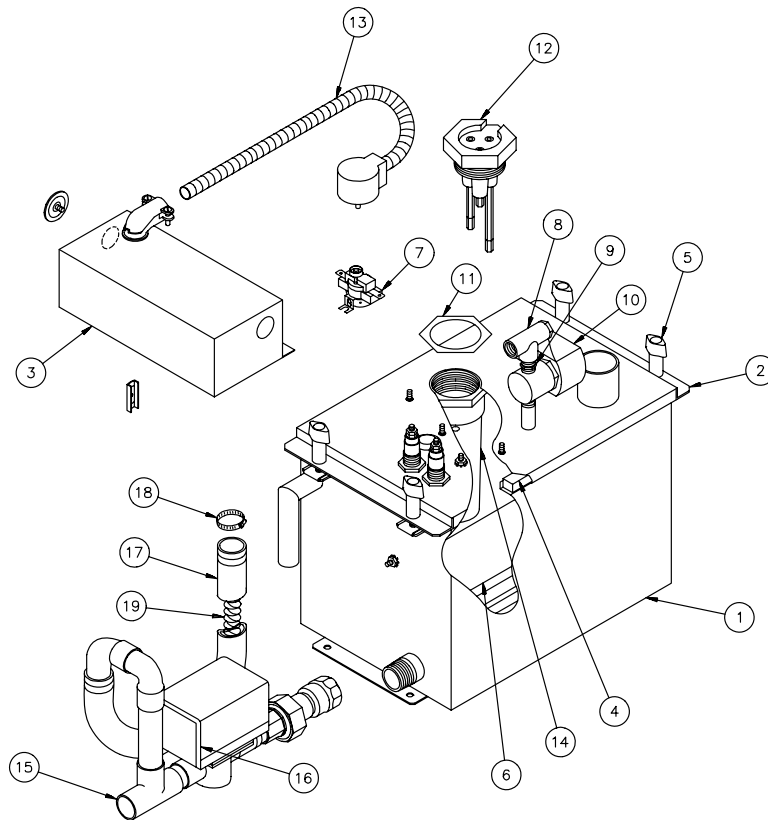
**Probe rod corrosion or probe head material aging may cause level control system failure. This generally does not occur in the first two years of operation.

CRUV® -DI TROUBLE-SHOOTING GUIDE (LW415 Electronic Water Level System Only)*

PROBLEM	READY WATER	POSSIBLE CAUSE	RECOMMENDED ACTION
Humidifier will not heat	Off	Control transformer Humidistat is not calling Safety controls open Low water float switch	Verify control voltage across secondary leads of transformer. Reset transformer circuit breaker. Set humidistat to call. Inspect for faulty humidistat. Check safety control. (Air flow switch, high limit humidistat, etc.) Verify control voltage from float switch and transformer secondary common.
Humidifier will not fill	Off	No water pressure at valve Malfunctioning water float valve Plugged float valve	Check manual water supply. Valve, minimum 30 psi water pressure. Check to make sure that valve float & stem moves freely. Check float valve seat.
Water float valve does not close	On	Open drain valve Manual drain valve not closed Malfunctioning float valve Water passing into overflow stand pipe Float valve stuck	Obstruction in drain valve will not allow complete closure, clean or replace valve. Close drain valve. Float ball has water leak. Float valve seat defective, replace. Readjust float valve rod, so water level reaches 1/4-3/8" from overflow edge when water is at ambient or cold state. Excessive water pressure, 100 psi maximum. Obstruction will not allow float valve to seat properly, clean or replace with new seat.
Reduced or no output even though water is at the proper level	On	Heater malfunctioning Malfunctioning control system Time delay/interlock relays Low water cut-off switch	Verify that proper voltage is being applied to heaters. Check heaters (amp draw and compare to wire diagram ratings). Heater contactor not functioning, replace. Service fuses blown. Auxiliary limit controls not allowing system to operate (duct humidistat, air flow proving switch, etc.). Reset, replace, or calibrate as required. Faulty or inaccurate humidistat, replace or calibrate. On delay relay delay time is 10-15 seconds. Check relays. Check for proper operation.

*For VAPOR-LOGIC₂ trouble-shooting, see the *VAPOR-LOGIC₂ Operations and Maintenance Manual*.

REPLACEMENT PARTS



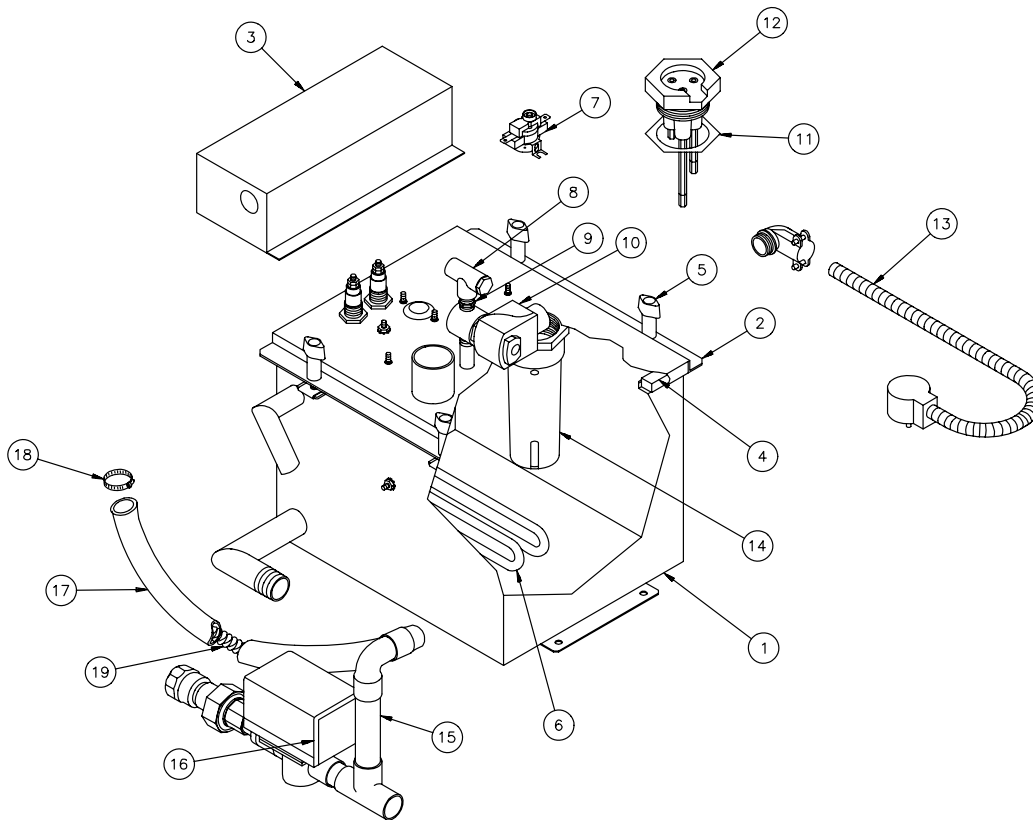
OM-778

Table 13-1: CRU®

No.	Description	Part No.
1	Tank	160712*
2	Cover	*
3	Cover, Heater Terminal	160750*
4	Gasket, Cover	160695*
5	Knob, T-Handled Utility	700725
6	Heater	409600*
7	Thermo Cut-Out	409560-001
8	Strainer, 1/4" NPT Sediment	300050
9	Orifice, .041 Fill Valve	160225-002
10	Valve, 1/4" Solenoid Fill	505084
11	Gasket, Probe	309750-003
12	Probe Assembly, CRU	406220
13	Probe Plug Wire Assembly, 24"	406050-002
14	Probe Housing, Nylon	308500
15	Drain Assembly, CRU	180250*
16	Valve, 3/4" HW Hydronic Drain	505400-001
17	Hose, Overflow	307020-002
18	Hose Clamp, 3/4" I.D.	700560-075
19	Spring, Overflow Hose	307025

* Specify humidifier model and serial numbers when ordering.

REPLACEMENT PARTS



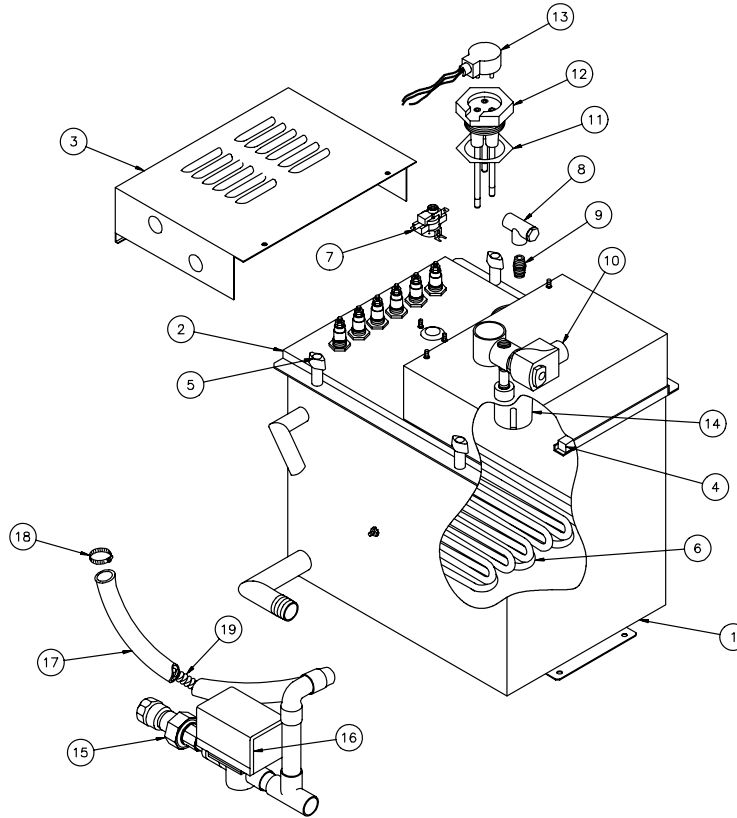
OM-779

Table 14-1: CRUV® 2-16

No.	Description	Part No.
1	Tank	160701*
2	Cover	*
3	Cover, Heater Terminal	160750*
4	Gasket, Cover	160695
5	Knob, T-Handled Utility	700725
6	Heater	409600*
7	Thermo Cut-Out	409560-001
8	Strainer, 1/4" NPT Sediment	300050
9	Orifice, .041 Fill Valve	160225-002
10	Valve, 1/4" Solenoid Fill	505084
11	Gasket, Probe	309750-003
12	Probe Assembly, CRUV	*
13	Probe Plug Wire Assembly, 24"	406050-002
14	Probe Housing, Nylon	308500
15	Drain Assembly, CRUV	180200*
16	Valve, 3/4" Electric Drain	505400-001
17	Hose, Overflow	307020-002
18	Hose Clamp, 3/4" I.D.	700560-075
19	Spring, Overflow Hose	307025

* Specify humidifier model and serial numbers when ordering.

REPLACEMENT PARTS



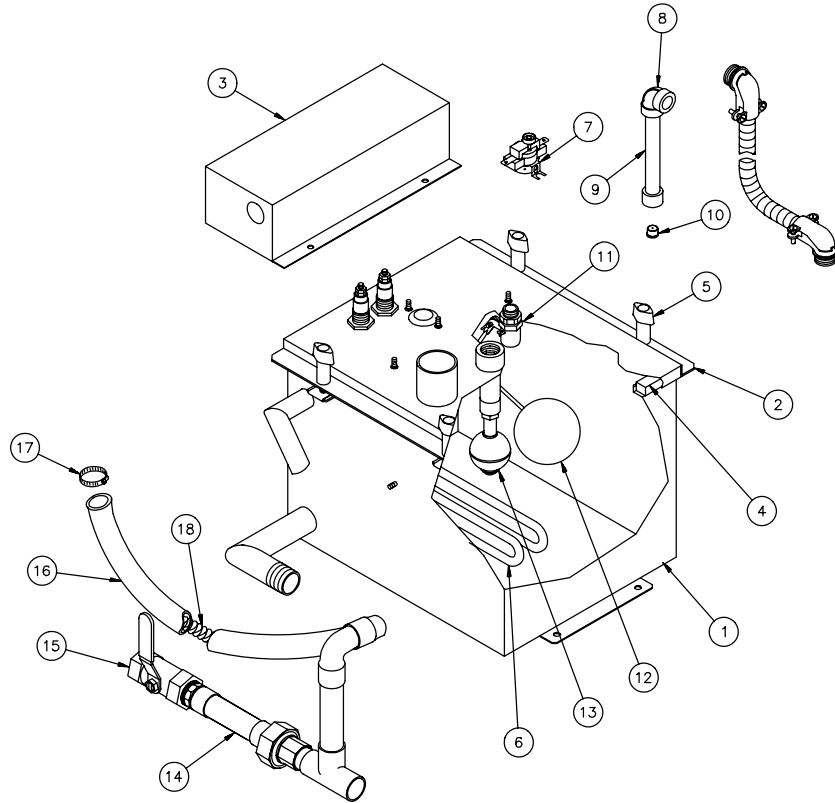
OM-1014

Table 15-1: CRUV®-25, 34

No.	Description	Part No.
1	Tank	160701*
2	Cover	*
3	Cover, Heater Terminal	160750-010
4	Gasket, Cover	160695-002
5	Knob, T-Handled Utility	700725
6	Heater	409600*
7	Thermo Cut-Out	409560-001
8	Strainer, 1/4" NPT Sediment	300050
9	Orifice, .052 Fill Valve	160225-005
10	Valve, 1/4" Solenoid Fill	505084
11	Gasket, Probe	309750-003
12	Probe Assembly, CRUV-25, 34	406200
13	Probe Plug Wire Assembly, 24" (without conduit)	406050-003
14	Probe Housing, Nylon	308500
15	Drain Assembly, CRUV-25, 34	180200-007
16	Valve, 3/4" HW Hydronic Drain	505400-001
17	Hose, Overflow	307020-002
18	Hose Clamp, 3/4" I.D.	700560-075
19	Spring, Overflow Hose	307025

* Specify humidifier model and serial numbers when ordering.

REPLACEMENT PARTS



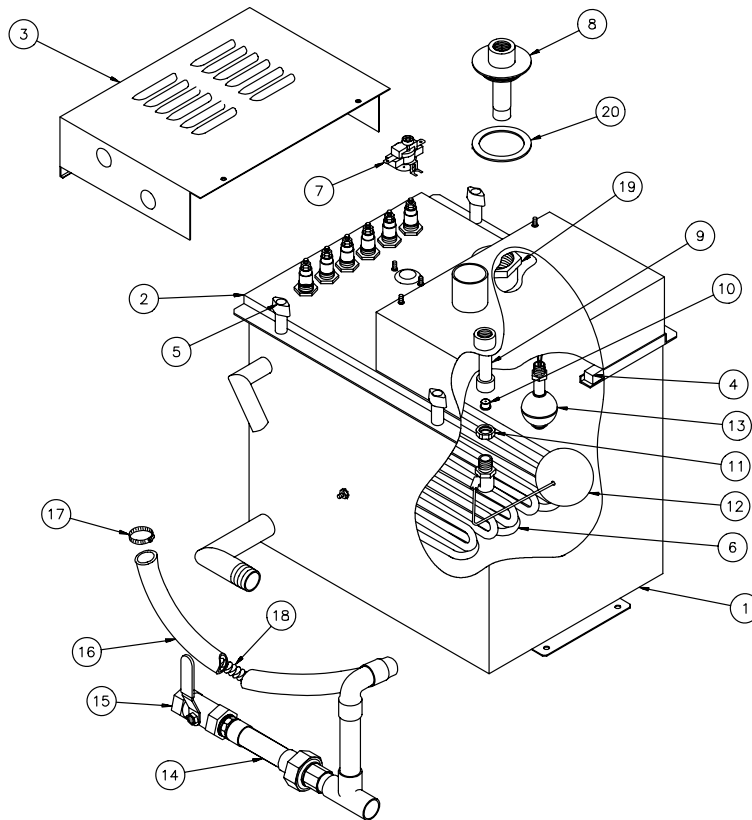
OM-780

Table 16-1: CRUV®-DI 2-16

No.	Description	Part No.
1	Tank	160701*
2	Cover	*
3	Cover, Heater Terminal	160750*
4	Gasket, Cover	160695*
5	Knob, T-Handled Utility	700725
6	Heater	409600*
7	Thermo Cut-Out	409560-001
8	Elbow 1/4" 90°	200580
9	Pipe Weld, CRUV-DI, 2-16 Fill Valve	160210
10	Orifice, .041 Fill Valve	160225-001
11	Seal Ring, 1/4" 18 NPT	306365
12	Float Valve Assembly, CRUV-DI	*
13	Float Switch, Stainless Steel LWCO	408420
14	Drain Assembly, CRUVDI	180180*
15	Valve, 3/4" Stainless Steel Ball	505000-001
16	Hose, Overflow	307020-002
17	Hose Clamp, 3/4" I.D.	700560-075
18	Spring, Overflow Hose	307025

* Specify humidifier model and serial numbers when ordering.

REPLACEMENT PARTS



OM-1015

Table 17-1: CRUV®-DI 25, 34

No.	Description	Part No.
1	Tank	160701*
2	Cover	*
3	Cover, Heater Terminal	160750-010
4	Gasket, Cover	160695-002
5	Knob, T-Handled Utility	700725
6	Heater	409600*
7	Thermo Cut-Out	409560-001
8	DI Conversion Weld, CRUV-DI 25, 34	167786
9	Pipe Weld, CRUV-DI 25, 34 Fill Valve	160215
10	Orifice, .052 Fill Valve	160225-004
11	Seal Ring, 1/4" 18 NPT	306365
12	Float Valve Assembly, CRUV-DI 25, 34	505230
13	Float Switch, Stainless Steel LWCO	408420
14	Drain Assembly, CRUV-DI 25, 34	180180-005
15	Valve, 3/4" Stainless Steel Ball	505000-001
16	Hose, Overflow	307020-002
17	Hose Clamp, 3/4" I.D.	700560-075
18	Spring, Overflow Hose	307025
19	DI Housing, Nylon	167780
20	Gasket, CRUV-DI 25, 34 Conversion Weld	160698

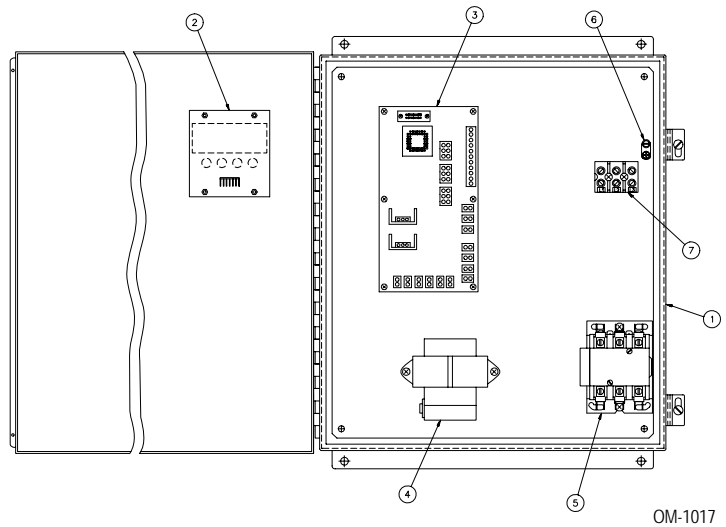
* Specify humidifier model and serial numbers when ordering.

REPLACEMENT PARTS

Table 18-1: CRUV® Control Cabinet (with LW430)

No.	Description	Part No.
1	Control Cabinet, 16 x 14 x 6	407100-005
2	Display Board, LW430	408651
3	Microprocessor Board, LW430	408641
4	Transformer, 208/240/480V	408965
4	Transformer, 120V	408960
4	Transformer, 575V	408984
5	Contactator, 24V	407001*
6	Ground Lug, L-35	409250-017
7	Terminal Block, 3-Pole	408300-002

* Specify humidifier model and serial numbers when ordering.

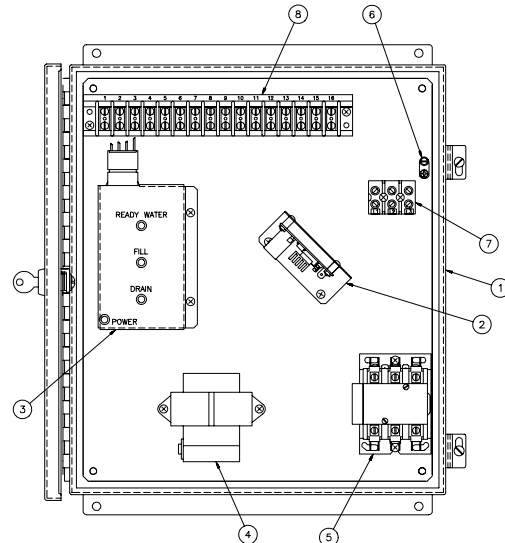


OM-1017

Table 18-2: CRU® and/or CRUV® Control Cabinet (with TP Modulator)

No.	Description	Part No.
1	Control Cabinet, 16 x 14 x 6	407100-005
2	TP Modulator	408680*
3	LW15 Modulator	180600
4	Transformer, 208/240/480V	408965
4	Transformer, 120V	408960
4	Transformer, 575V	408984
5	Contactator, 24V	407001*
6	Ground Lug, L-35	409250-017
7	Terminal Block, 3-Pole	408300-002
8	Terminal Block, 16 Position	408250-009

* Specify humidifier model and serial numbers when ordering.

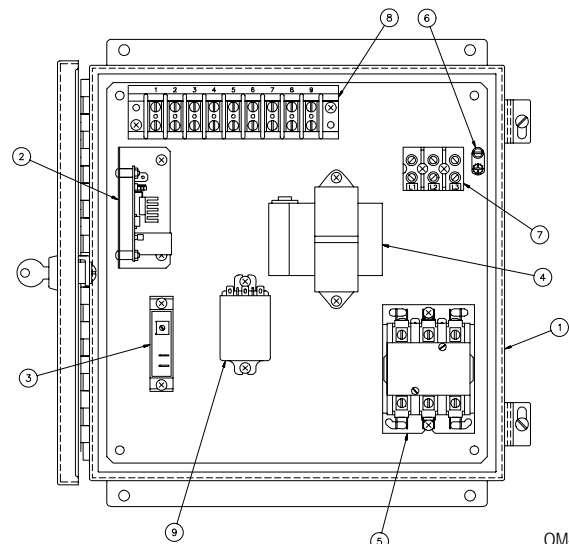


OM-1016

Table 18-3: CRUV®-DI Control Cabinet

No.	Description	Part No.
1	Control Cabinet, 12 x 12 x 6	407100-004
2	TP Modulator	408680*
3	Time Delay, 24V	408440-001
4	Transformer, 208/240/480V	408965
4	Transformer, 120V	408960
4	Transformer, 575V	408984
5	Contactator, 24V	407001*
6	Ground Lug, L-35	409250-017
7	Terminal Block, 3-Pole	408300-002
8	Terminal Block, 9 Position	408250*
9	Relay, 24V	407900-001

* Specify humidifier model and serial numbers when ordering.



OM-1018

TWO-YEAR LIMITED WARRANTY

DRI-STEEM Humidifier Company ("DRI-STEEM") warrants to the original user that its products will be free from defects in materials and workmanship for a period of two (2) years after installation or twenty-seven (27) months from the date DRI-STEEM ships such product, whichever date is the earlier.

If any DRI-STEEM product is found to be defective in material or workmanship during the applicable warranty period, DRI-STEEM's entire liability, and the purchaser's sole and exclusive remedy, shall be the repair or replacement of the defective product, or the refund of the purchase price, at DRI-STEEM's election. DRI-STEEM shall not be liable for any costs or expenses, whether direct or indirect, associated with the installation, removal or reinstallation of any defective product.

DRI-STEEM's limited warranty shall not be effective or actionable unless there is compliance with all installation and operating instructions furnished by DRI-STEEM, or if the products have been modified or altered without the written consent of DRI-STEEM, or if such products have been subject to accident, misuse, mishandling, tampering, negligence or improper maintenance. Any warranty claim must be submitted to DRI-STEEM in writing within the stated warranty period.

DRI-STEEM's limited warranty is made in lieu of, and DRI-STEEM disclaims all other warranties, whether express or implied, including but not limited to any IMPLIED WARRANTY OF MERCHANTABILITY, ANY IMPLIED WARRANTY OF FITNESS FOR A PARTICULAR PURPOSE, any implied warranty arising out of a course of dealing or of performance, custom or usage of trade.

DRI-STEEM SHALL NOT, UNDER ANY CIRCUMSTANCES BE LIABLE FOR ANY DIRECT, INDIRECT, INCIDENTAL, SPECIAL OR CONSEQUENTIAL DAMAGES (INCLUDING, BUT NOT LIMITED TO, LOSS OF PROFITS, REVENUE OR BUSINESS) OR DAMAGE OR INJURY TO PERSONS OR PROPERTY IN ANY WAY RELATED TO THE MANUFACTURE OR THE USE OF ITS PRODUCTS. The exclusion applies regardless of whether such damages are sought based on breach of warranty, breach of contract, negligence, strict liability in tort, or any other legal theory, even if DRI-STEEM has notice of the possibility of such damages.

By purchasing DRI-STEEM's products, the purchaser agrees to the terms and conditions of this limited warranty.

DRI STEEM[®]
HUMIDIFIER COMPANY

14949 Technology Drive, Eden Prairie, MN 55344
PH: 1-800-328-4447 • In MN: (612) 949-2415
Fax: (612) 949-2933 • E-Mail: sales@dristeem.com



Printed on recycled paper with
agri-based inks. Minimum 10%
Post-consumer Waste.

