












DRISTEEM GTS® HUMIDIFIER, STANDARD WATER

 <p>WARNING</p> <p>Indicates a hazardous situation that could result in death or serious injury if instructions are not followed.</p>	 <p>CAUTION</p> <p>Indicates a hazardous situation that could result in damage to or destruction of property if instructions are not followed.</p>
---	--

mc_051508_1145

 <p>WARNING</p>	
	<p>Read all warnings and instructions</p> <p>This page provides important safety instructions; it is intended to supplement — not replace — the humidifier's Installation, Operation, and Maintenance Manual (IOM). Read the IOM that was provided with the humidifier before performing service or maintenance procedures on any part of the system. Failure to follow all warnings and instructions could produce the hazardous situations described here and in the IOM, resulting in property damage, personal injury, or death.</p> <p>If the IOM is missing, go to www.dristeem.com to download a replacement.</p>
 	<p>Hot surfaces and hot water</p> <p>Steam humidification systems have extremely hot surfaces, and water in tanks, electrode cylinders, steam pipes, and dispersion assemblies can be as hot as 212 °F (100 °C). To avoid severe burns, allow the entire humidification system to cool.</p> <p>Follow the cool-down procedure in the humidifier's IOM before performing service or maintenance procedures on any part of the system.</p>
   	<p>Carbon monoxide, fire, explosion, and electrical shock hazards</p> <p>Improper installation, adjustment, alteration, service, maintenance, or use can cause carbon monoxide poisoning, fire, explosion, electrical shock, and other hazardous conditions. These hazardous conditions could cause personal injury, property damage, or death. To prevent hazardous conditions, read all warnings; lock all power disconnect switches in the OFF position before removing any access panels; and consult a qualified installer, service agency, local gas supplier, or your distributor or branch for information or assistance. The qualified installer or agency must use only factory authorized and listed kits or accessories when modifying this product.</p> <p>If you smell gas:</p> <ul style="list-style-type: none"> • Do not try to light any appliance. • Do not touch any electrical switch; do not use any phone in your building. • Immediately call your gas supplier from an off-site phone. Follow the gas supplier's instructions. • If you cannot reach your gas supplier, call the fire department.
	<p>Electrical shock hazard</p> <p>If the humidifier starts up at a call for humidity during maintenance, severe bodily injury or death from electrical shock could occur. To prevent such start-up, follow the procedure below before performing service or maintenance procedures on this humidifier (after the tank has cooled down and drained):</p> <ol style="list-style-type: none"> 1. Use the Vapor-logic® keypad to change the control mode to Standby. 2. Shut off all electrical power to the humidifier using the field-installed fused disconnect, and lock all power disconnect switches in the OFF position. 3. Close the field-installed manual water supply and gas shut-off valves.

Parts in this service kit are for the GTS04 humidifier (October 2004 to present). Parts are listed on page 2.

GTS, standard water, service kit parts

CAUTION

Damage from hot discharge water

Discharge water can be as hot as 212 °F (100 °C) and can damage the drain plumbing.

If the humidifier is equipped with a water tempering device such as a DriSteem Drane-kooler™, it needs fresh make-up water in order to function properly. Make sure the water supply to the Drane-kooler remains open during draining.

If the humidifier is not equipped with a water tempering device, allow the tank to cool before opening the drain valve.

GTS04, standard water, 1 burner Service Kit No. 900100-401 (North America) Service Kit No. 901100-401 (Europe)

No.	Part Description	Part No.	Qty.
1	Probe tool (see Probe Tool inset)	406201	1
2	Probe assembly	406303-010	1
3	Probe gasket	309750-004	1
4	Silicone, clear (not shown)	320000	1
5	Silicone, high-temperature (not shown)	320001	1
6	Sediment screen (see Fill Valve inset)	300051	1
7	Probe plate gasket	308235-006	1
8	Cleanout plate gasket	308235-005	1
9	Nut, 1/4-20 w/ Nylon insert	700300-016	50
10	Burner gasket	308230-006	1
11	Blower gasket	308230-007	1
12	Ignitor assembly - 120V (North America)	405718	1
	Ignitor assembly - 24V (Europe)	405718-001	1
13	Flame sensor	405725	1

GTS04, standard water, 2 burner Service Kit No. 900100-402 (North America) Service Kit No. 901100-402 (Europe)

No.	Part Description	Part No.	Qty.
1	Probe tool (see Probe Tool inset)	406201	1
2	Probe assembly	406303-010	1
3	Probe gasket	309750-004	1
4	Silicone, clear (not shown)	320000	1
5	Silicone, high-temperature (not shown)	320001	1
6	Sediment screen (see Fill Valve inset)	300051	1
7	Probe plate gasket	308235-006	1
8	Cleanout plate gasket	308235-005	1
9	Nut, 1/4-20 w/ Nylon insert	700300-016	56
10	Burner gasket	308230-006	2
11	Blower gasket	308230-007	2
12	Ignitor assembly - 120V (North America)	405718	2
	Ignitor assembly - 24V (Europe)	405718-001	2
13	Flame sensor	405725	2

GTS04, standard water, 3 burner Service Kit No. 900100-403 (North America) Service Kit No. 901100-403 (Europe)

No.	Part Description	Part No.	Qty.
1	Probe tool (see Probe Tool inset)	406201	1
2	Probe assembly	406303-010	1
3	Probe gasket	309750-004	1
4	Silicone, clear (not shown)	320000	1
5	Silicone, high-temperature (not shown)	320001	1
6	Sediment screen (see Fill Valve inset)	300051	1
7	Probe plate gasket	308235-006	1
8	Cleanout plate gasket	308235-005	1
9	Nut, 1/4-20 w/ Nylon insert	700300-016	66
10	Burner gasket	308230-006	3
11	Blower gasket	308230-007	3
12	Ignitor assembly - 120V (North America)	405718	3
	Ignitor assembly - 24V (Europe)	405718-001	3
13	Flame sensor	405725	3

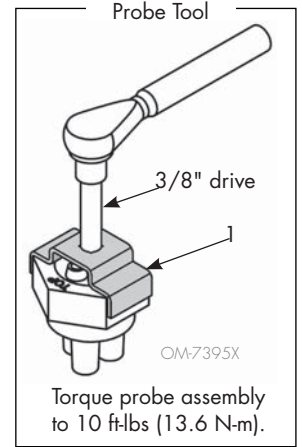
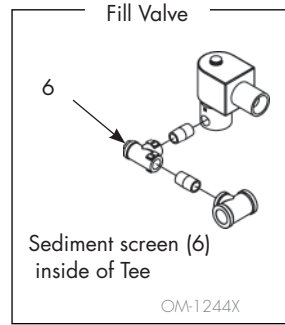
GTS04, standard water, 4 burner Service Kit No. 900100-404 (North America) Service Kit No. 901100-404 (Europe)

No.	Part Description	Part No.	Qty.
1	Probe tool (see Probe Tool inset)	406201	1
2	Probe assembly	406303-010	1
3	Probe gasket	309750-004	1
4	Silicone, clear (not shown)	320000	1
5	Silicone, high-temperature (not shown)	320001	1
6	Sediment screen (see Fill Valve inset)	300051	1
7	Probe plate gasket	308235-006	1
8	Cleanout plate gasket	308235-005	1
9	Nut, 1/4-20 w/ Nylon insert	700300-016	72
10	Burner gasket	308230-006	4
11	Blower gasket	308230-007	4
12	Ignitor assembly - 120V (North America)	405718	4
	Ignitor assembly - 24V (Europe)	405718-001	4
13	Flame sensor	405725	4

GTS, standard water, service kit parts

This service kit contains the replacement parts called out in the parts drawing to keep your DriSteem humidifier operating at peak performance. This Service Kit Manual provides important safety and service instructions; it is intended to supplement — not replace — the humidifier's Installation, Operation, and Maintenance Manual. Please see **Read all warnings and instructions** on page 1.

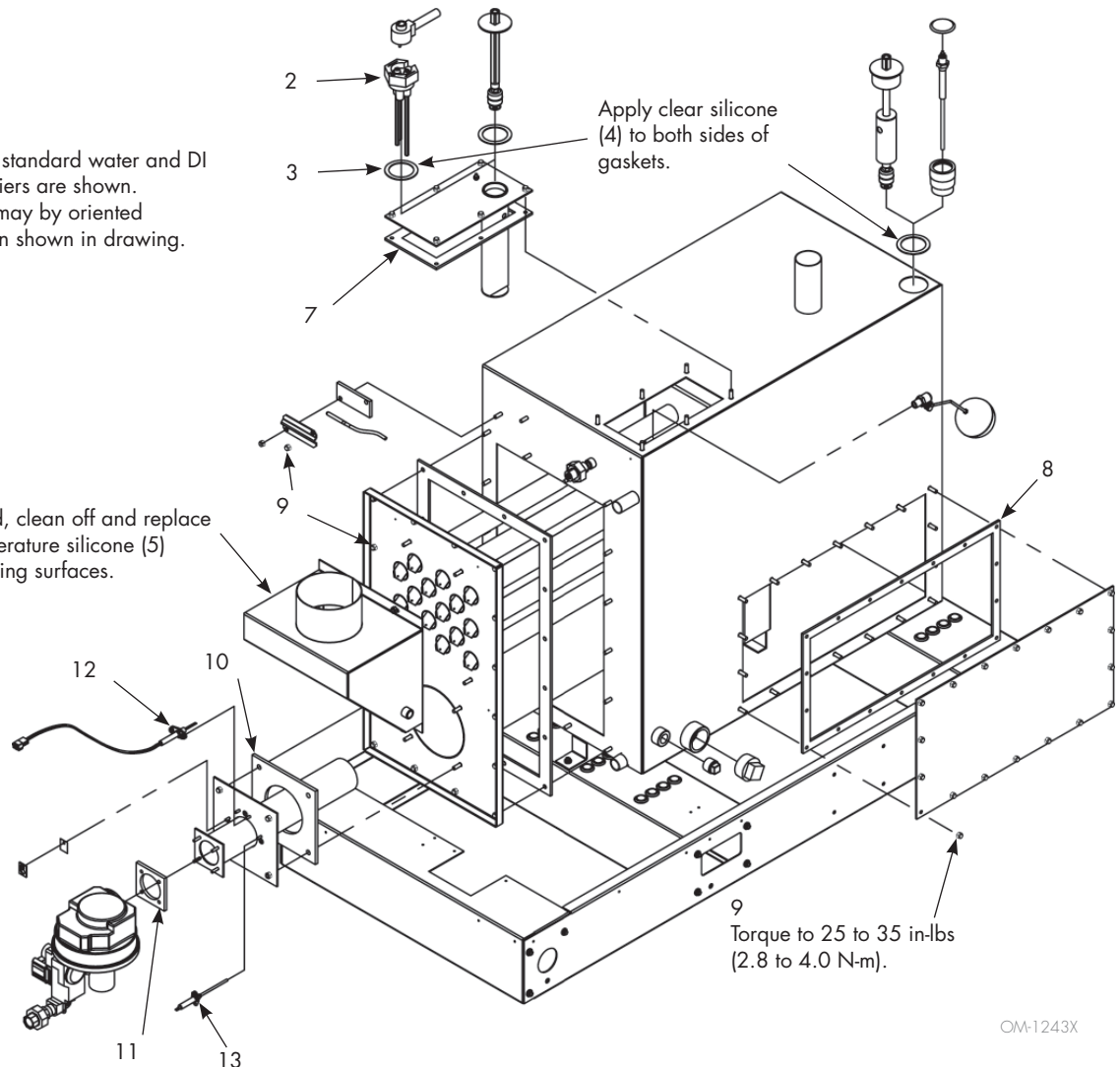
While performing service and maintenance procedures, replace existing parts with the new parts provided in the service kit.



mc_051508_1320

Notes:

- Parts for both standard water and DI water humidifiers are shown.
- Components may be oriented differently than shown in drawing.



INSPECTION RECOMMENDATIONS:

- User inspection every 30 days.
- Appliance system inspected once a year by a qualified service person.

Note: Do the procedure below prior to cool-down/shut-down.

DURING INSPECTION, VERIFY THE FOLLOWING:

- Proper field operation of burner. Measure CO, CO₂%, O₂%, flue temperature, and burner efficiency at 100% demand with the tank at a boil. Verify that measurements are within the guidelines described in Table 4-1; if not, consult DriSteem.

Table 4-1: GTS products of combustion guidelines (at 100% demand)	
CO	Less than 40 ppm; 0 or low single digits is typical
CO ₂ %	8-10%; 9% is typical for natural gas, 10% is typical for LP gas
O ₂ %	4-7%
Flue temperature	Less than 400 °F plus room temp. (Less than 204.4 °C plus room temp.)
Burner efficiency	Greater than 80%

- Flue passageways external to the appliance, such as vent connector and chimney, are clear and free of obstructions.
- Vent connector is in place, sloping upward and is physically sound without holes or excessive corrosion.
- Physical support of the appliance is sound without sagging, cracks, or gaps between floor legs or tank flanges.
- There are no obvious signs of deterioration of the appliance.
- Burner flame is blue or orange in color — up to ¼" (6 mm) from the surface of the burner.



Cool down humidifier

Before performing service or maintenance procedures, allow the tank to cool down. Insulated and uninsulated tanks will have hot surfaces.

Note: Fresh make-up water is used to speed up cooling. Do not close the manual water supply before cooling down the humidifier; otherwise the tank could stay hot for several hours.

1. Verify that there is no call for humidity and that the aquastat set point (adjusted using the keypad/display Setup screens) is less than room temperature (default setting is 40 °F [4 °C]) so the burners do not energize while cooling down the tank.
2. Verify that the tank is in Auto mode so it will fill after draining begins.
3. Drain the tank:

Models with a manually operated drain valve:

- a. Manually open the drain valve by moving the valve lever located on the back of the drain valve to the manual open position. The fill valve will open after enough water has drained out of the tank.
- b. Let the fill water run until the tank is cooled; then shut off the field-installed manual supply water shut-off valve.
- c. Let the tank drain; then manually close the drain valve.

For models without a manually operated drain valve, use the keypad to perform the cool down procedure:

- a. From the Main menu, enter the following submenu:
 - Vapor-logic3 controller: Control Modes
 - Vapor-logic4, 5, 6 controller: Tank Status.
- b. Change mode to Manual Drain (Vapor-logic3) or Drain (Vapor-logic4, 5, or 6), and allow approximately half the water to drain out of the tank.
- c. Change the mode back to Auto; the fill valve opens and the humidifier cools down.
- d. When the fill valve closes, go back into Drain mode, and allow the tank to drain completely. The humidifier should be cool enough to work on.
- e. For more information about using the keypad, see the Vapor-logic Controller Installation and Operation Manual shipped with the humidifier.



Shut down humidifier

Follow the procedure below before performing service or maintenance procedures (after the tank has cooled down and drained):

1. Use the controller keypad to change the control mode to Standby.
2. Shut off all electrical power to the humidifier using the field-installed fused disconnect, and lock all power disconnect switches in the OFF position.
3. Close the field-installed manual water supply and gas shut-off valves.

INSPECTION AND MAINTENANCE

Annually (also recommended when maintenance is performed)

1. All safety devices in the control circuit should be cycled on and off to verify they are functioning. These include:
 - High limit switch
 - Airflow proving switch
 - Low water level probe. Pull out probe plug; fill valve should energize.
 - Redundant low water level probe
2. Inspect tank, piping, and gaskets for water and gas leaks.

Seasonally (or as required, depending on water quality)

1. Clean the tank:
 - a. Remove cleanout plate and dispose of any loose scale that has collected in the tank. Do this before the scale buildup reaches the bottom of the heat exchanger.
 - b. Inspect the area inside the tank in front of the drain valve fitting and thoroughly clean all scale and mineral buildup from that area.
2. Dismantle and clean the drain valve and associated piping.
3. Clean the probes:

Access the probe assembly either from the electrical panel or by removing the roof panel above the electrical area.

 - a. Disconnect the probe plug and cable assembly and unscrew the probe rod assembly from the humidifier probe housing.
 - b. Inspect the probe housing and clean, ensuring that all the housing passageways are clear. Remove the housing from the tank by removing the cover plate from the tank.
 - The scale should flake off easily from the probe assembly rods.
 - The bottom 3/8" (10 mm) of each rod is the sensing portion; clean these areas with a wire brush, abrasive pad, or steel wool.
 - c. Inspect the composite plastic probe rod assembly for any signs of cracking, roughness, or deterioration. If found, replace probe assembly.
 - d. Reassemble the probe assembly.
4. Clean the skim/overflow port:
 - a. Water should drain from the skimmer drain pipe after each fill cycle. This should be verified visually by a weekly inspection.
 - b. Loosen deposits in and around the skimmer/overflow port with a long tool such as a screwdriver.
 - c. If flow through the water seal/P-trap is diminished due to mineral accumulation:
 - Remove the water seal piping from the humidifier and flush out.
 - Replace the water seal with new piping if the minerals have hardened in the water seal.
5. Clean the low water cutout probe: Remove the shroud cover and inspect the probe rod for mineral accumulation. The rod is located on the top of the tank near the back. Use stainless steel wool to clean the probe.
6. Inspect the blower motor: A lubrication port is not provided, therefore lubrication is not required.
7. Remove dust: Using a vacuum, remove all dust from areas around the motor, vent fan(s), and louvers that allow air to the shrouded area.
8. When the maintenance requirements are complete:
 - a. Replace cleanout plate and tighten the nuts on the plate. Torque the nuts to 25 to 35 in-lbs (2.8 to 4.0 N-m).
 - b. Verify that the probe rod holder is secure and that the probe plug and cable assembly are plugged into the probe rod holder.
 - c. Verify that the drain valve assembly is in the closed position.
 - d. Replace and secure all covers and doors.
 - e. Turn on the water supply.
 - f. Turn on the electrical power.
 - g. Turn on the gas.

Do not leave humidifier unattended. Allow the humidifier to cycle through multiple fill cycles and verify that the humidifier cover, cleanout plate, and probe holder gasket are not leaking.

Off-season maintenance

1. Perform complete inspection and cleaning of the following:
 - Probe rods
 - Skimmer port and water seal
 - Humidifier tank
 - Heat exchanger
2. After cleaning, the humidifier should remain empty until humidification is required.

GTS, standard water, service instructions

Humidifier De-scaling Solution

Scale buildup on humidifier heat exchangers acts as an insulator, reducing humidifier performance while increasing energy costs. To keep humidifiers operating as efficiently as possible, remove scale with DriSteem's Humidifier De-scaling Solution, available for purchase from your DriSteem representative or distributor.

The De-scaling Solution cleans without risk of corroding humidifier tanks or welds. The De-scaling Solution also cleans surfaces unreachable by hand scraping.

DriSteem's Humidifier De-scaling Solution is the only approved cleaner/de-scaler for use with DriSteem humidifiers. Use of other cleaners/de-scalers may void your DriSteem warranty.

DRI-STEEM Corporation

An ISO 9001: 2000 certified corporation

U.S. Headquarters:

14949 Technology Drive
Eden Prairie, MN 55344
800-328-4447 or 952-949-2415
952-229-3200 (fax)

European office:

Marc Briers
Grote Hellekensstraat 54 b
B-3520 Zonhoven
Belgium

+3211823595 (voice)

+3211817948 (fax)

E-mail: marc.briers@dristeem.com

Continuous product improvement is a policy of DRI-STEEM Corporation; therefore, product features and specifications are subject to change without notice.

DRI-STEEM, GTS, and Vapor-logic are registered trademarks of DRI-STEEM Corporation and are filed for trademark registration in Canada and the European community.

Drane-kooler is a trademark of DRI-STEEM Corporation.

© 2015 DRI-STEEM Corporation

Form No. GTS-standard-Service_Kit_Manual_0715
Part No. 891000-101 Rev D

INSPECTING BURNER ASSEMBLIES AND HEAT EXCHANGER TUBES

This is not a regular maintenance item, but if the heat exchanger tubes contain carbon deposits, soot, or other residue, clean as follows:

1. Turn off gas, electrical power, and water supply.
2. Remove gas train shroud.
3. Disconnect wiring to blowers, flame sensors, gas valves, and ignition controllers and remove burner assemblies (each assembly is mounted with four bolts).
4. Remove vent box.
5. Use a 6" (150 mm) flue brush with a 24" (600 mm) extension and reversible drill. Work brush in and out of all combustion chambers.
Note: Disconnecting components from one burner assembly at a time and then cleaning the corresponding combustion chamber and burner will ease reassembly.
6. Remove loose deposits and residue that falls into rear header with a vacuum cleaner and hose extension.
7. Inspect 1 ½" (DN40) return tubes and clean if necessary.
8. Run thin brush between turbulator and tube wall on all four sides.
9. Reinstall burner assemblies and gaskets; vent box and gasket; all electrical wiring; gas train shroud; and pressure switch connections.

BURNER MAINTENANCE

Under normal use conditions, the burner(s) should not need cleaning for a minimum of five years. However, depending on the operating environment, the burner(s) may require periodic cleaning to remove accumulated materials. Failure to clean burners can result in reduced unit capacity. Use sealed combustion in dirty environments. See burner maintenance instructions below.

BURNER MAINTENANCE INSTRUCTIONS

To service the burner system, clean both the blower and the burner. Remove the blower(s) from the system and clean dust from the wheel. Remove the burner(s) for cleaning. Removing and cleaning one burner at a time eases reassembly. To dislodge particulate matter from the burner surface matrix, use compressed air (100 psig [700 kPa] maximum). Keep the air nozzle about 2" (50 mm) from the burner's surface, blowing air perpendicular to the burner surface while moving the nozzle back and forth lengthwise. This dislodges particles trapped in the matrix, pushing them back inside the burner. Avoid blowing air across the surface, which tends to have a destructive effect on the burner surface. Allow particulate matter to fall from the burner through the air/gas inlet. To assist in removing the particulate matter, use a vacuum at the burner's air/gas inlet.

START-UP

Perform the Annual safety checks in the Inspection and maintenance section on page 4.

If resuming operation after service, do not leave the humidifier unattended; allow it to cycle through multiple fill cycles to verify that all serviced parts are functioning properly. See the humidifier's Installation, Operation, and Maintenance manual for start-up details.

DriSteem products are warranted according to the terms and conditions of the standard two-year Limited Warranty effective when the humidifier was purchased. See the literature that was shipped with the humidifier for warranty information.

GTS® HUMIDIFICATEUR À VAPEUR ALIMENTÉ AU GAZ, EAU STANDARD

! ATTENTION

Indique une situation dangereuse qui pourrait entraîner des blessures graves voire la mort si les consignes ne sont pas respectées.

! ATTENTION

Indique une situation dangereuse qui pourrait endommager ou détruire des biens si les consignes ne sont pas respectées.

! ATTENTION



Lire l'ensemble des mises en garde et des instructions

Cette page fournit des consignes de sécurité importantes ; elle est conçue pour compléter – non remplacer – le Manuel d'installation, d'utilisation et de maintenance (IOM). Lire l'IOM qui a été fourni avec l'humidificateur avant d'effectuer des interventions d'entretien ou de maintenance sur n'importe quelle pièce du système. Le non-respect de l'ensemble des mises en garde et des instructions pourrait engendrer les situations dangereuses décrites dans ce document et dans l'IOM, et occasionner des dommages aux biens, des préjudices corporels voire la mort.

Si l'IOM est manquant, rendez-vous à www.dristeem.com pour télécharger un manuel de remplacement.



Surfaces et eau portées à température élevée

Les systèmes d'humidification à vapeur comportent des surfaces à température extrêmement élevée ; la température de l'eau présente dans les cuves, les cylindres à électrode, les conduites de vapeur et les ensembles de dispersion peut atteindre 100 °C. Pour éviter tout risque de brûlures graves, laisser refroidir tout le système d'humidification.



Suivre la procédure de refroidissement décrite dans l'IOM de l'humidificateur avant d'effectuer des interventions d'entretien ou de maintenance sur n'importe quelle pièce du système.



Risques d'intoxication au monoxyde de carbone, d'incendie, d'explosion ou de choc électrique

Une installation, un réglage, une modification, une réparation, un entretien, une maintenance ou un usage incorrect peut entraîner une intoxication au monoxyde de carbone, un incendie, une explosion ou un choc électrique, et faire naître d'autres situations dangereuses. Ces situations dangereuses pourraient occasionner des dommages aux biens ou des préjudices corporels voire la mort. Pour éviter les risques liés aux situations dangereuses, prendre connaissance de l'ensemble des avertissements ; verrouiller tous les sectionneurs d'alimentation en position d'arrêt (OFF) avant de déposer un panneau d'accès ; consulter un installateur qualifié, un prestataire d'entretien, le fournisseur de gaz local, ou le distributeur ou la succursale pour plus d'informations ou demander de l'aide. L'installateur qualifié ou le prestataire d'entretien qui apporterait des modifications à ce produit devra utiliser exclusivement les nécessaires ou les accessoires répertoriés.



En cas d'odeur de gaz :

- N'allumer aucun appareil quel qu'il soit.
- Ne toucher aucun interrupteur électrique ; ne pas utiliser un téléphone situé dans le bâtiment.
- Contacter aussitôt le fournisseur de gaz en appelant depuis un téléphone en dehors du site. Suivre les instructions du fournisseur de gaz.
- En cas d'impossibilité à joindre le fournisseur de gaz, appeler les pompiers.



Risque de choc électrique

Si l'humidificateur démarre en réponse à une demande d'humidification lors d'une intervention de maintenance, cela pourrait occasionner des préjudices corporels graves voire la mort à la suite d'un choc électrique. Pour éviter un tel démarrage, suivre la procédure ci-dessous avant toute intervention d'entretien ou de maintenance sur cet humidificateur (une fois que la cuve a été refroidie et vidangée) :

1. Utiliser le pavé numérique Vapor-logic® pour basculer le mode de commande en veille.
2. Couper toute l'alimentation électrique de l'humidificateur en utilisant le sectionneur à fusible installé sur site et verrouiller tous les sectionneurs d'alimentation en position d'arrêt OFF.
3. Fermer les robinets de sectionnement d'alimentation manuelle en eau et en gaz installés sur site.

Les pièces citées dans ce nécessaire d'entretien sont prévues pour l'humidificateur GTS04 (octobre 2004 à ce jour). Les pièces sont répertoriées en page 2.

GTS, eau standard, pièces du nécessaire d'entretien



ATTENTION

Domages occasionnés par l'eau de refoulement à haute température

La température de l'eau de refoulement peut atteindre 100 °C et endommager la plomberie de vidange.

Si l'humidificateur est équipé d'un dispositif de tempérage de l'eau comme DriSteem Drane-kooler™, il a besoin d'eau d'appoint fraîche pour fonctionner correctement. S'assurer que l'alimentation en eau du Drane-kooler reste ouverte lors de la vidange.

Si l'humidificateur n'est pas équipé d'un dispositif de tempérage de l'eau, laisser la cuve refroidir avant d'ouvrir le robinet de vidange.

GTS04, eau standard, 1 brûleur Nécessaire d'entretien n° 901100-401

N°	Description de la pièce	Référence.	Qté.
1	Outil à sonde (voir l'encart Outil à sonde)	406201	1
2	Sonde	406303-010	1
3	Joint d'étanchéité de sonde	309750-004	1
4	Silicone, transparent (non représenté)	320000	1
5	Silicone, haute température (non représenté)	320001	1
6	Tamis à sédiments (voir l'encart Robinet de remplissage)	300051	1
7	Joint d'étanchéité de la plaque de sonde	308235-006	1
8	Joint d'étanchéité de la plaque de nettoyage	308235-005	1
9	Écrou, 1/4-20 avec bague de nylon	700300-016	50
10	Joint d'étanchéité du brûleur	308230-006	1
11	Joint d'étanchéité du souffleur	308230-007	1
12	Allumeur - 24 V	405718-001	1
13	Détecteur de flamme	405725	1

GTS04, eau standard, 2 brûleurs Nécessaire d'entretien n° 901100-402

N°	Description de la pièce	Référence.	Qté.
1	Outil à sonde (voir l'encart Outil à sonde)	406201	1
2	Sonde	406303-010	1
3	Joint d'étanchéité de sonde	309750-004	1
4	Silicone, transparent (non représenté)	320000	1
5	Silicone, haute température (non représenté)	320001	1
6	Tamis à sédiments (voir l'encart Robinet de remplissage)	300051	1
7	Joint d'étanchéité de la plaque de sonde	308235-006	1
8	Joint d'étanchéité de la plaque de nettoyage	308235-005	1
9	Écrou, 1/4-20 avec bague de nylon	700300-016	56
10	Joint d'étanchéité du brûleur	308230-006	2
11	Joint d'étanchéité du souffleur	308230-007	2
12	Allumeur - 24 V	405718-001	2
13	Détecteur de flamme	405725	2

GTS04, eau standard, 3 brûleurs Nécessaire d'entretien n° 901100-403

N°	Description de la pièce	Référence.	Qté.
1	Outil à sonde (voir l'encart Outil à sonde)	406201	1
2	Sonde	406303-010	1
3	Joint d'étanchéité de sonde	309750-004	1
4	Silicone, transparent (non représenté)	320000	1
5	Silicone, haute température (non représenté)	320001	1
6	Tamis à sédiments (voir l'encart Robinet de remplissage)	300051	1
7	Joint d'étanchéité de la plaque de sonde	308235-006	1
8	Joint d'étanchéité de la plaque de nettoyage	308235-005	1
9	Écrou, 1/4-20 avec bague de nylon	700300-016	66
10	Joint d'étanchéité du brûleur	308230-006	3
11	Joint d'étanchéité du souffleur	308230-007	3
12	Allumeur - 24 V	405718-001	3
13	Détecteur de flamme	405725	3

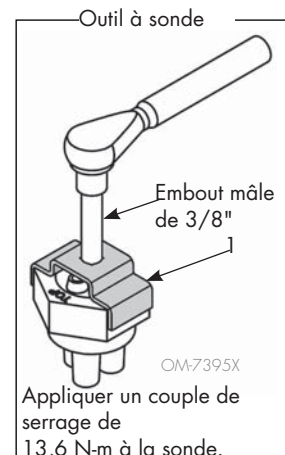
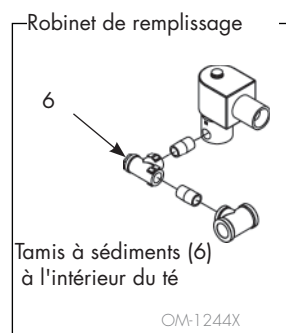
GTS04, eau standard, 4 brûleurs Nécessaire d'entretien n° 901100-404

N°	Description de la pièce	Référence.	Qté.
1	Outil à sonde (voir l'encart Outil à sonde)	406201	1
2	Sonde	406303-010	1
3	Joint d'étanchéité de sonde	309750-004	1
4	Silicone, transparent (non représenté)	320000	1
5	Silicone, haute température (non représenté)	320001	1
6	Tamis à sédiments (voir l'encart Robinet de remplissage)	300051	1
7	Joint d'étanchéité de la plaque de sonde	308235-006	1
8	Joint d'étanchéité de la plaque de nettoyage	308235-005	1
9	Écrou, 1/4-20 avec bague de nylon	700300-016	72
10	Joint d'étanchéité du brûleur	308230-006	4
11	Joint d'étanchéité du souffleur	308230-007	4
12	Allumeur - 24 V	405718-001	4
13	Détecteur de flamme	405725	4

GTS, eau standard, pièces du nécessaire d'entretien

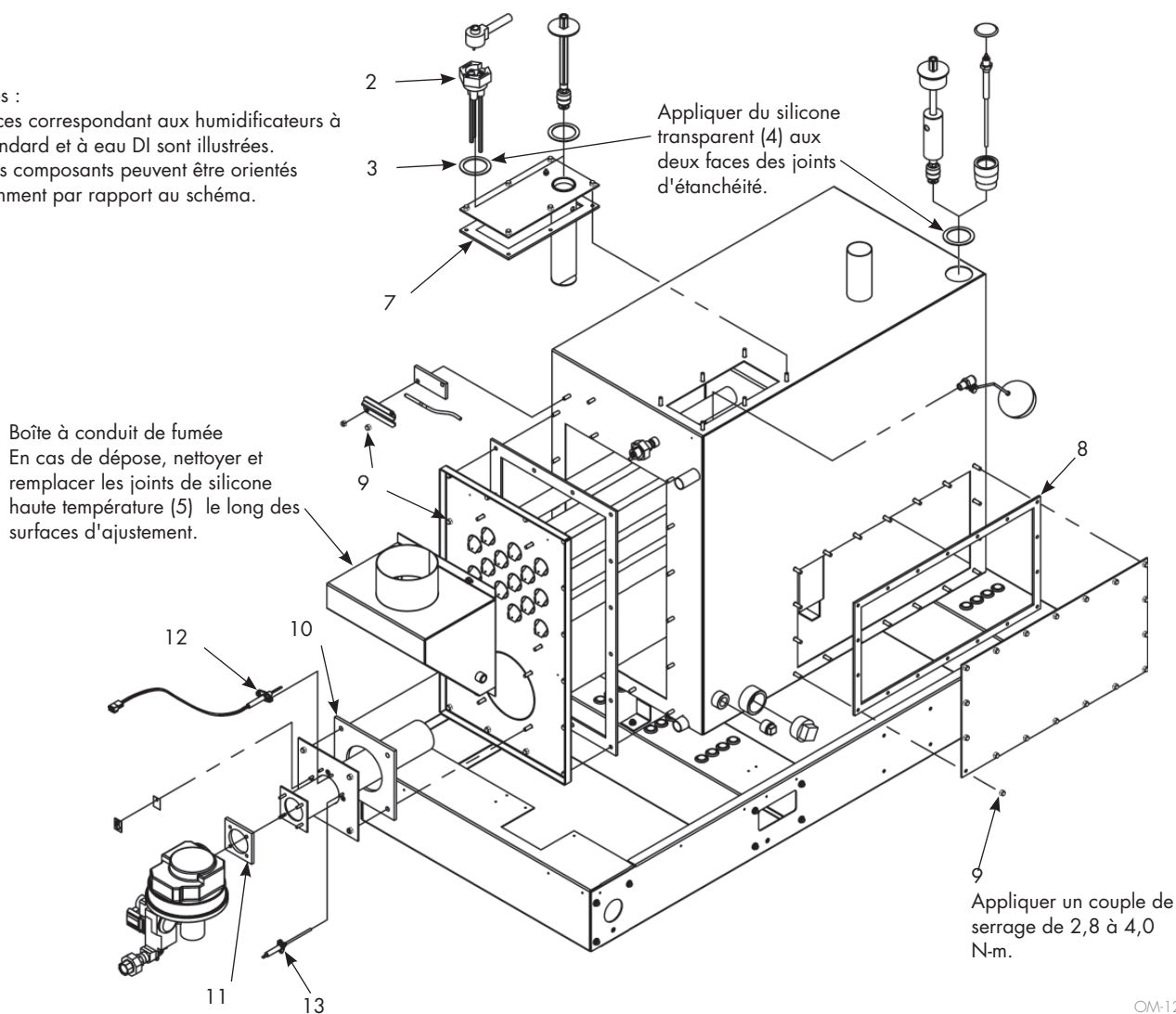
Le nécessaire d'entretien contient les pièces de rechange référencées dans le schéma des pièces qui permettent à votre humidificateur DriSteem de continuer à fonctionner au maximum de ses performances. Ce Manuel du nécessaire d'entretien fournit des consignes d'entretien et de sécurité importantes ; il est conçu pour compléter — non remplacer — le Manuel d'installation, d'utilisation et de maintenance (IOM). Lire l'ensemble des mises en garde et des instructions en page 1.

Lors des interventions d'entretien et de maintenance, remplacer les pièces existantes par les pièces neuves fournies dans le nécessaire d'entretien.



Remarques :

- Les pièces correspondant aux humidificateurs à eau standard et à eau DI sont illustrées.
- Certains composants peuvent être orientés différemment par rapport au schéma.



GTS, eau standard, consignes d'entretien

RECOMMANDATIONS D'INSPECTION :

- Inspection par l'utilisateur tous les 30 jours.
- Système de l'appareil inspecté annuellement par un technicien d'entretien qualifié.

Remarque : Effectuer la procédure ci-dessous avant le refroidissement et l'arrêt.

LORS DE L'INSPECTION, VÉRIFIER LES ÉLÉMENTS SUIVANTS :

- Bon fonctionnement du brûleur sur site. Mesurer le taux de CO, CO₂ %, O₂ %, la température du conduit de fumée et l'efficacité du brûleur pour une demande de 100 % avec la cuve en ébullition. Vérifier que les mesures sont conformes aux directives du tableau 10-1 ; si ce n'est pas le cas, consulter DriSteem.

Tableau 10-1 : Directives concernant les produits de combustion GTS (pour une demande de 100 %)	
CO	Moins de 40 ppm ; en général 0 ou une valeur faible à un seul chiffre
CO ₂ %	8-10 % ; 9 % est une valeur type pour le gaz naturel ; 10 % est une valeur type pour le gaz LP
O ₂ %	4-7 %
Température du conduit de fumée	Inférieure à 204,4 °C plus température ambiante.
Efficacité du brûleur	Supérieure à 80 %

- Voies de passage du conduit de fumée externes à l'appareil, comme le connecteur d'évent et la cheminée, non obstruées.
- Connecteur d'évent en place, pente ascendante et physiquement robuste, sans trou ni corrosion excessive.
- Support physique de l'appareil robuste, sans fissures affaïssées ou jeu entre les jambes d'appui ou les brides de la cuve.
- Aucun signe évident de détérioration de l'appareil.
- Flamme du brûleur bleue ou orange — s'élève à 6 mm depuis la surface du brûleur.



Refroidissement de l'humidificateur

Avant toute intervention d'entretien ou de maintenance, laisser refroidir la cuve. Certaines surfaces des cuves isolées et non isolées seront portées à température élevée.

Remarque : De l'eau d'appoint fraîche est utilisée pour accélérer le refroidissement. Ne pas fermer l'alimentation manuelle en eau avant d'avoir refroidi l'humidificateur ; autrement, la cuve pourrait rester chaude pendant plusieurs heures.

1. Vérifier qu'il n'y a pas eu de demande d'humidification et que le point de consigne de l'aquastat (réglé à l'aide du pavé numérique ou des écrans de configuration de l'affichage) est inférieur à la température ambiante (la valeur par défaut est de 4 °C) afin que les brûleurs ne s'activent pas lors du refroidissement de la cuve.
2. Vérifier que la cuve est en mode automatique de façon à ce qu'elle se remplisse après le début de la vidange.
3. Vidange de la cuve :
Modèles ayant un robinet de vidange à fonctionnement manuel :
 - a. Ouvrir manuellement le robinet de vidange en déplaçant le levier situé à l'arrière du robinet de vidange en position d'ouverture manuelle. Le robinet de remplissage s'ouvrira dès qu'une quantité suffisante d'eau aura été vidangée de la cuve.
 - b. Laisser couler l'eau de remplissage jusqu'à ce que la cuve soit refroidie ; puis, fermer le robinet de sectionnement de l'alimentation manuelle en eau installé sur site.
 - c. Laisser la cuve se vidanger ; puis, fermer manuellement le robinet de vidange.

Pour les modèles sans robinet de vidange manuel, utiliser le pavé numérique pour effectuer la procédure de refroidissement :

- a. Depuis le menu principal, ouvrir le sous-menu suivant :
 - Dispositif de régulation Vapor-logic3 : Control Modes (mode de commande)
 - Dispositif de régulation Vapor-logic4, 5, 6 : Tank Status (état de la cuve).
- b. Passer en mode Manual Drain (vidange manuelle) (Vapor-logic3) ou Drain (vidange) (Vapor-logic4, 5, 6) et laisser environ la moitié de l'eau se vidanger hors de la cuve.
- c. Revenir en mode Auto ; le robinet de remplissage s'ouvre et l'humidificateur se refroidit.
- d. Quand le robinet de remplissage se ferme, revenir en mode Drain (vidange) et laisser la cuve se vidanger complètement. L'humidificateur devrait avoir suffisamment refroidi pour pouvoir effectuer la tâche.
- e. Pour plus d'informations sur l'utilisation du pavé numérique, voir pour le dispositif de régulation (Vapor-logic) le Manuel d'installation et d'utilisation fourni avec l'humidificateur.



Arrêt de l'humidificateur

Suivre la procédure ci-dessous avant toute intervention d'entretien ou de maintenance (une fois que la cuve a été refroidie et vidangée) :

1. Utiliser le pavé numérique du dispositif de régulation pour basculer le mode de commande en Veille.
2. Couper toute l'alimentation électrique de

l'humidificateur en utilisant le sectionneur à fusible installé sur site et verrouiller tous les sectionneurs d'alimentation en position d'arrêt OFF.

3. Fermer les robinets de sectionnement d'alimentation manuelle en eau et en gaz installés sur site.

INSPECTION ET MAINTENANCE

Annuellement (également recommandée lors de la maintenance)

1. Tous les dispositifs de sécurité du circuit de commande doivent être mis en marche, puis arrêtés, afin de vérifier leur fonctionnement. Ces dispositifs comprennent notamment :
 - Commutateur de fin de course
 - Commutateur de contrôle de débit d'air
 - Sonde de niveau d'eau bas. Tirer la fiche de la sonde ; le robinet de remplissage devrait s'activer.
 - Sonde redondante de niveau d'eau bas
2. Inspecter la cuve, la tuyauterie et les joints d'étanchéité pour détecter d'éventuelles fuites d'eau ou de gaz.

À chaque saison (ou au besoin, selon la qualité de l'eau)

1. Nettoyer la cuve :
 - a. Déposer la plaque de nettoyage et éliminer le tartre détaché qui s'est accumulé au fond de la cuve. Ceci doit être fait avant que le tartre accumulé ne parvienne jusqu'au fond de l'échangeur de chaleur.
 - b. Inspecter l'intérieur de la cuve devant le raccord du robinet de vidange et éliminer soigneusement le tartre et les sels minéraux accumulés dans cette zone.
2. Démonter et nettoyer le robinet de vidange et la tuyauterie associée.
3. Nettoyer les sondes :

Accéder à la sonde par le panneau électrique ou en déposant le panneau de toit au-dessus de la zone électrique.

 - a. Débrancher la fiche et le câble de la sonde et dévisser la tige de sonde du carter de la sonde de l'humidificateur.
 - b. Inspecter le carter de la sonde et le nettoyer, en s'assurant que toutes ses voies de passage sont dégagées. Retirer le carter de la cuve en déposant la plaque de protection de la cuve.
 - Le tartre devrait se détacher aisément des tiges de sonde.
 - Les 10 mm du bas de chaque tige sont la partie détectrice ; nettoyer cette partie à l'aide d'une brosse métallique, d'un tampon abrasif ou de laine d'acier.
 - c. Inspecter la tige de sonde en plastique composite pour déceler toute fissure, rugosité ou détérioration. Dans ce cas, remplacer la sonde.
 - d. Remonter la sonde.
4. Nettoyer l'orifice d'écumage et de trop-plein :
 - a. L'eau devrait s'écouler par le tuyau de vidange de l'écumoire après chaque cycle de remplissage.

Vérifier visuellement si c'est le cas par une inspection hebdomadaire.

- b. Détacher les dépôts à l'intérieur et autour de l'orifice de l'écumoire ou du trop-plein à l'aide d'un outil long comme un tournevis.
 - c. Si l'écoulement à travers le siphon isolateur/ siphon-P est diminué à cause d'une accumulation de sels minéraux :
 - Retirer la tuyauterie du siphon isolateur de l'humidificateur et rincer.
 - Remplacer le siphon isolateur avec la nouvelle tuyauterie si les sels minéraux ont durci dans le siphon isolateur.
5. Nettoyer la sonde de coupure de niveau d'eau bas : Retirer la protection de l'enveloppe et inspecter la tige de sonde pour déceler une éventuelle accumulation de sels minéraux. La tige se trouve sur le dessus de la cuve, près de l'arrière. Utiliser une laine d'acier inoxydable pour nettoyer la sonde.
 6. Inspecter le moteur du souffleur : Comme il n'y a pas d'orifice de lubrification, il n'est pas nécessaire de graisser.
 7. Éliminer la poussière : À l'aide d'un aspirateur, éliminer la poussière présente autour du moteur, du ou des ventilateurs d'évent et des grilles d'aération qui permettent à l'air de circuler dans l'enveloppe.
 8. Quand les exigences de la maintenance sont satisfaites :
 - a. Replacer la plaque de nettoyage et serrer les écrous sur la plaque. Appliquer un couple de serrage de 2,8 à 4,0 N-m aux écrous.
 - b. Vérifier que le support de la tige de sonde est solide et la fiche ainsi que le câble de la sonde sont branchés sur le support de la tige de sonde.
 - c. Vérifier que le robinet de vidange est en position fermée.
 - d. Replacer et bien fermer l'ensemble des protections et des portes.
 - e. Ouvrir l'alimentation en eau.
 - f. Allumer l'alimentation électrique.
 - g. Ouvrir le gaz.

Ne pas laisser l'humidificateur sans surveillance. Faire plusieurs cycles de remplissage de l'humidificateur et s'assurer que la protection de l'humidificateur, la plaque de nettoyage et le joint d'étanchéité du support de la sonde ne présentent pas de fuite.

MAINTENANCE HORS SAISON

1. Effectuer une inspection et un nettoyage complets des éléments suivants :
 - Tiges de la sonde
 - Orifice de l'écumoire et siphon isolateur
 - Cuve de l'humidificateur
 - Échangeur de chaleur
2. Après le nettoyage, l'humidificateur doit demeurer vide jusqu'à ce qu'il y ait un besoin d'humidification.

GTS, eau standard, consignes d'entretien

Humidifier De-scaling Solution

Scale buildup on humidifier heat exchangers acts as an insulator, reducing humidifier performance while increasing energy costs. To keep humidifiers operating as efficiently as possible, remove scale with DriSteem's Humidifier De-scaling Solution, available for purchase from your DriSteem representative or distributor.

The De-scaling Solution cleans without risk of corroding humidifier tanks or welds; and there is no off-gassing, flammability, or added heat risks associated with other cleaning solutions. The De-scaling Solution also cleans surfaces unreachable by hand scraping.

DriSteem's Humidifier De-scaling Solution is the only approved cleaner/de-scaler for use with DriSteem humidifiers. Use of other cleaners/de-scalers may void your DriSteem warranty.

DRI-STEEM Corporation

ISO 9001 : 2000 société certifiée
Bureau européen :
Marc Briers
Grote Hellekensstraat 54 b
B-3520 Zonhoven
Belgique
+3211823595 (téléphone)
+3211817948 (télécopie)
E-mail : marc.briers@dristeem.com

Siège social aux États-Unis :
14949 Technology Drive
Eden Prairie, MN 55344
800-328-4447 ou 952-949-2415
952-229-3200 (télécopie)

DRI-STEEM Corporation poursuit une politique d'amélioration continue de ses produits. Par conséquent, les caractéristiques et les spécifications des produits peuvent changer sans préavis.

DriSteem, GTS et Vapor-logic sont des marques déposées de DRI-STEEM Corporation et ont fait l'objet d'une demande de dépôt de marque au Canada et dans la Communauté Européenne.

Drane-kooler est une marque déposée de DRI-STEEM Corporation.

© 2015 DRI-STEEM Corporation

Formulaire n° GTS-standard_Service_Kit_Manual_0715
Référence. 891000-101 Rev D

INSPECTION DES BRÛLEURS ET DES TUBES DE L'ÉCHANGEUR DE CHALEUR

Ce n'est pas un élément nécessitant une maintenance régulière, mais si les tubes de l'échangeur de chaleur contiennent des dépôts de carbone, de suie ou de tout autre résidu, les nettoyer comme suit :

1. Couper le gaz, l'alimentation électrique et l'arrivée d'eau.
2. Retirer l'enveloppe du circuit de gaz.
3. Débrancher le câblage aux souffleurs, aux détecteurs de flamme, aux soupapes à gaz et aux contrôleurs d'allumage et déposer les brûleurs (chaque ensemble est monté avec quatre boulons).
4. Sortir la boîte d'aération.
5. Utiliser une brosse à conduit de fumée de 150 mm avec une rallonge de 600 mm et une perceuse réversible. Brosser les chambres de combustion à l'intérieur et à l'extérieur.
Remarque : Débrancher les éléments d'un brûleur à la fois, puis nettoyer la chambre de combustion et le brûleur correspondants faciliteront le remontage.
6. Retirer les dépôts et résidus détachés qui tombent dans le collecteur arrière à l'aide d'un aspirateur et d'une rallonge de tuyau flexible.
7. Inspecter les tubes de retour DN40 et les nettoyer au besoin.
8. Passer une brosse fine entre le turbulateur et la paroi du tube des quatre côtés.
9. Réinstaller les ensembles de brûleur et les joints d'étanchéité, la boîte d'aération et son joint d'étanchéité, tout le câblage électrique, l'enveloppe du circuit de gaz et les branchements du pressostat.

MAINTENANCE DU BRÛLEUR

En conditions d'utilisation normale, le ou les brûleurs ne devraient pas nécessiter de nettoyage avant au moins cinq ans. Toutefois, selon le milieu de fonctionnement, ils pourraient exiger un nettoyage périodique afin d'éliminer les matières accumulées. Ne pas nettoyer les brûleurs pourrait diminuer la capacité de l'appareil. Utiliser une combustion étanche dans les environnements poussiéreux. Consulter les consignes de maintenance du brûleur ci-dessous.

CONSIGNES DE MAINTENANCE DU BRÛLEUR

Pour l'entretien du système de brûleurs, nettoyer le souffleur et le brûleur. Déposer le ou les souffleurs du système et nettoyer la poussière du volant. Déposer le ou les brûleurs pour les nettoyer. Retirer et nettoyer un brûleur à la fois facilite le remontage. Pour déloger les matières particulaires de la matrice de surface du brûleur, utiliser de l'air comprimé (700 kPa maximum). Maintenir la buse d'air à environ 50 mm de la surface du brûleur, en soufflant l'air perpendiculairement à la surface du brûleur tout en déplaçant la buse d'avant en arrière dans le sens de la longueur. Ceci délogera les particules prisonnières de la matrice, en les repoussant à l'intérieur du brûleur. Éviter de souffler l'air en travers de la surface, car cela pourrait avoir un effet destructeur sur la surface du brûleur. Laisser les matières particulaires tomber du brûleur à travers l'entrée d'air ou de gaz. Pour faciliter l'élimination des matières particulaires, utiliser un aspirateur à l'entrée d'air ou de gaz du brûleur.

DÉMARRAGE

Effectuer les contrôles de sécurité Annuels prévus à la section Inspection et maintenance en page 4.

En cas de reprise du fonctionnement après un entretien, ne pas laisser l'humidificateur sans surveillance ; le laisser accomplir plusieurs cycles de remplissage afin de vérifier que toutes les pièces entretenues fonctionnent correctement. Voir les détails du démarrage dans le Manuel d'installation, d'utilisation et de maintenance de l'humidificateur.

Les produits DriSteem sont garantis selon les modalités de la garantie limitée de deux ans standard prenant effet à la date d'achat de l'humidificateur. Voir la documentation fournie avec l'humidificateur pour plus d'informations sur la garantie.

GTS® GASBEFEUERTER DAMPFBEFEUCHTER, NORMALWASSER



VORSICHT

Weist auf einen Betriebszustand hin, der zu schweren Verletzungen oder Tod führen kann, falls die Anweisungen mißachtet werden.



ACHTUNG

Weist auf einen Betriebszustand hin, der zu Sachschäden führen kann, falls die Anweisungen mißachtet werden.



VORSICHT



Alle Warnhinweise und Arbeitsanweisungen lesen

Diese Seite enthält wichtige Sicherheitshinweise; sie ist als Zusatz zu verstehen und NICHT als Ersatz für die Installations- und Bedienungsanleitung. Daher zuerst die Installations- und Bedienungsanleitung des Befuchters lesen, welche mit dem Befuchter geliefert wurde, bevor jegliche Wartungsarbeiten am System durchgeführt werden. Nichteinhaltung dieser Warnhinweise kann zu den hier und in der Befuchter-Bedienungsanleitung beschriebenen gefährlichen Betriebszuständen führen, welche Sachschäden, Verletzungen oder Tod zur Folge haben können.

Fehlt die Befuchter-Bedienungsanleitung, diese von www.drirsteem.com herunterladen.



Heiße Oberflächen und heißes Wasser

Dampf-Befeuchtungssysteme weisen sehr heiße Oberflächen auf und das Wasser in den Tanks, Elektrozyllindern, Dampfrohren und Verteilmodulen kann bis zu 100 °C heiß sein. Daher das gesamte Befuchtersystem zuerst abkühlen um Verbrühungen zu vermeiden.



Das Abkühlverfahren in der Befuchter-Bedienungsanleitung befolgen, bevor jegliche Wartungsarbeiten an Teilen des Systems erfolgen.



Kohlenmonoxid, Feuer, Explosion, und Stromschlag

Unsachgemäße Installation, Einstellung, Änderung, Wartung oder Bedienung kann zu Kohlenmonoxidvergiftung, Feuer, Explosion, Stromschlag und anderen Gefahren führen. Diese gefährlichen Betriebszustände können zu Verletzungen, Sachschäden oder zum Tod führen. Um gefährliche Betriebszustände zu vermeiden alle Sicherheits- und Warnhinweise lesen. Alle Stromschalter in der Position AUS sperren bevor jegliche Abdeckungen entfernt werden. Jegliche Arbeiten dürfen nur von einem dafür qualifizierten Techniker, Wartungsdienst oder Gasversorgungsunternehmen durchgeführt werden. Es dürfen nur vom Werk zugelassene und aufgelistete Wartungssätze oder Zubehör am Befuchter zum Einsatz kommen.



Bei Gasgeruch:

- Keine Befuchter zünden.
- Keine Schalter betätigen und kein Telefon in diesem Gebäude benutzen.
- Sofort den Bereitschaftsdienst Ihres Gasversorgungsunternehmens von einem Telefon anrufen, das sich außerhalb des Gebäudes befindet. Deren Anweisungen befolgen.
- Ist das Gasversorgungsunternehmen nicht erreichbar, die Feuerwehr verständigen.



Gefahr durch Stromschlag

Falls der Befuchter während der Wartung einschaltet kann dies zu schweren Verletzungen oder Tod durch Stromschlag führen. Um ein automatisches Einschalten zu verhindern, die nachfolgenden Anweisungen beachten, bevor jegliche Wartungsarbeiten an diesem Befuchter erfolgen (nachdem der Tank abgekühlt und entwässert wurde):

1. Mit Hilfe des Vapor-logic® Steuergeräts in den Steuermodus Standby schalten.
2. Die Stromversorgung am bauseitigen gesicherten Hauptschalter abschalten und alle Schalter in Position AUS sperren.
3. Die bauseitigen manuellen Wasser- und Gaszufuhrventile schließen.

Teile für diesen Wartungssatz passen zu Befuchter GTS04 (Oktober 2004 bis heute). Für Teileliste siehe Seite 2.



ACHTUNG

Schäden aufgrund heißem Abwasser

Abwasser kann bis zu 100 °C heiß sein und die Ablaufverrohrung beschädigen.

Ist der Befeuchter mit einem Abwasserkühlgerät wie z.B. dem DriSteem Drane-kooler™ ausgerüstet muss ein Kaltwasseranschluss vorhanden sein, damit das Gerät ordnungsgemäß funktioniert. Daher sicherstellen, die Wasserzufuhr zum Drane-kooler-Kühlgerät ist während des Abkühlvorgangs geöffnet.

Weist der Befeuchter kein Abwasserkühlgerät auf, den Tank zuerst abkühlen lassen, bevor das Ablaufventil geöffnet wird.

GTS04, Normalwasser, 1 Brenner Wartungssatz-Nr. 901100-401			
Nr.	Benennung	Teile-Nr.	Menge
1	Sondenwerkzeug (siehe Einzelheit Sondenwerkzeug)	406201	1
2	Sondenbaugruppe	406303-010	1
3	Dichtung Sonde	309750-004	1
4	Silikon, klar (nicht dargestellt)	320000	1
5	Silikon, Hochtemperatur (nicht dargestellt)	320001	1
6	Filtereinsatz (siehe Einzelheit Füllventil)	300051	1
7	Dichtung Abdeckung Sonde	308235-006	1
8	Dichtung Abdeckung Reinigungsöffnung	308235-005	1
9	Mutter, 1/4-20 mit Nyloneinsatz	700300-016	50
10	Dichtung Brenner	308230-006	1
11	Dichtung Gebläse	308230-007	1
12	Zünder-Baugruppe - 24V	405718-001	1
13	Flammensensor	405725	1

GTS04, Normalwasser, 2 Brenner Wartungssatz-Nr. 901100-402			
Nr.	Benennung	Teile-Nr.	Menge
1	Sondenwerkzeug (siehe Einzelheit Sondenwerkzeug)	406201	1
2	Sondenbaugruppe	406303-010	1
3	Dichtung Sonde	309750-004	1
4	Silikon, klar (nicht dargestellt)	320000	1
5	Silikon, Hochtemperatur (nicht dargestellt)	320001	1
6	Filtereinsatz (siehe Einzelheit Füllventil)	300051	1
7	Dichtung Abdeckung Sonde	308235-006	1
8	Dichtung Abdeckung Reinigungsöffnung	308235-005	1
9	Mutter, 1/4-20 mit Nyloneinsatz	700300-016	56
10	Dichtung Brenner	308230-006	2
11	Dichtung Gebläse	308230-007	2
12	Zünder-Baugruppe - 24V	405718-001	2
13	Flammensensor	405725	2

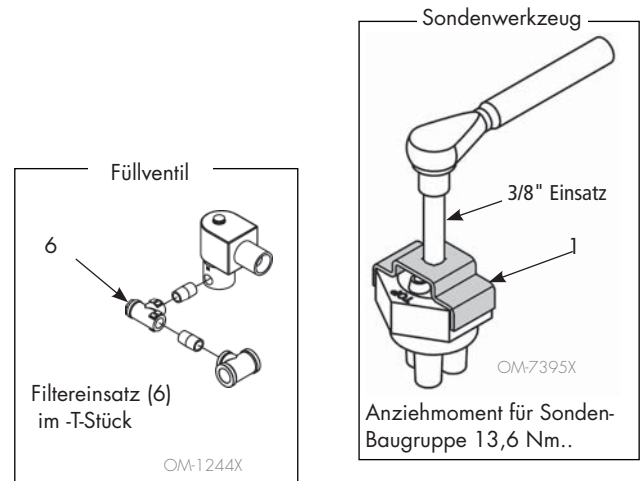
GTS04, Normalwasser, 3 Brenner Wartungssatz-Nr. 901100-403			
Nr.	Benennung	Teile-Nr.	Menge
1	Sondenwerkzeug (siehe Einzelheit Sondenwerkzeug)	406201	1
2	Sondenbaugruppe	406303-010	1
3	Dichtung Sonde	309750-004	1
4	Silikon, klar (nicht dargestellt)	320000	1
5	Silikon, Hochtemperatur (nicht dargestellt)	320001	1
6	Filtereinsatz (siehe Einzelheit Füllventil)	300051	1
7	Dichtung Abdeckung Sonde	308235-006	1
8	Dichtung Abdeckung Reinigungsöffnung	308235-005	1
9	Mutter, 1/4-20 mit Nyloneinsatz	700300-016	66
10	Dichtung Brenner	308230-006	3
11	Dichtung Gebläse	308230-007	3
12	Zünder-Baugruppe - 24V	405718-001	3
13	Flammensensor	405725	3

GTS04, Normalwasser, 4 Brenner Wartungssatz-Nr. 901100-404			
Nr.	Benennung	Teile-Nr.	Menge
1	Sondenwerkzeug (siehe Einzelheit Sondenwerkzeug)	406201	1
2	Sondenbaugruppe	406303-010	1
3	Dichtung Sonde	309750-004	1
4	Silikon, klar (nicht dargestellt)	320000	1
5	Silikon, Hochtemperatur (nicht dargestellt)	320001	1
6	Filtereinsatz (siehe Einzelheit Füllventil)	300051	1
7	Dichtung Abdeckung Sonde	308235-006	1
8	Dichtung Abdeckung Reinigungsöffnung	308235-005	1
9	Mutter, 1/4-20 mit Nyloneinsatz	700300-016	72
10	Dichtung Brenner	308230-006	4
11	Dichtung Gebläse	308230-007	4
12	Zünder-Baugruppe - 24V	405718-001	4
13	Flammensensor	405725	4

GTS, Normalwasser, Wartungssatz-Teile

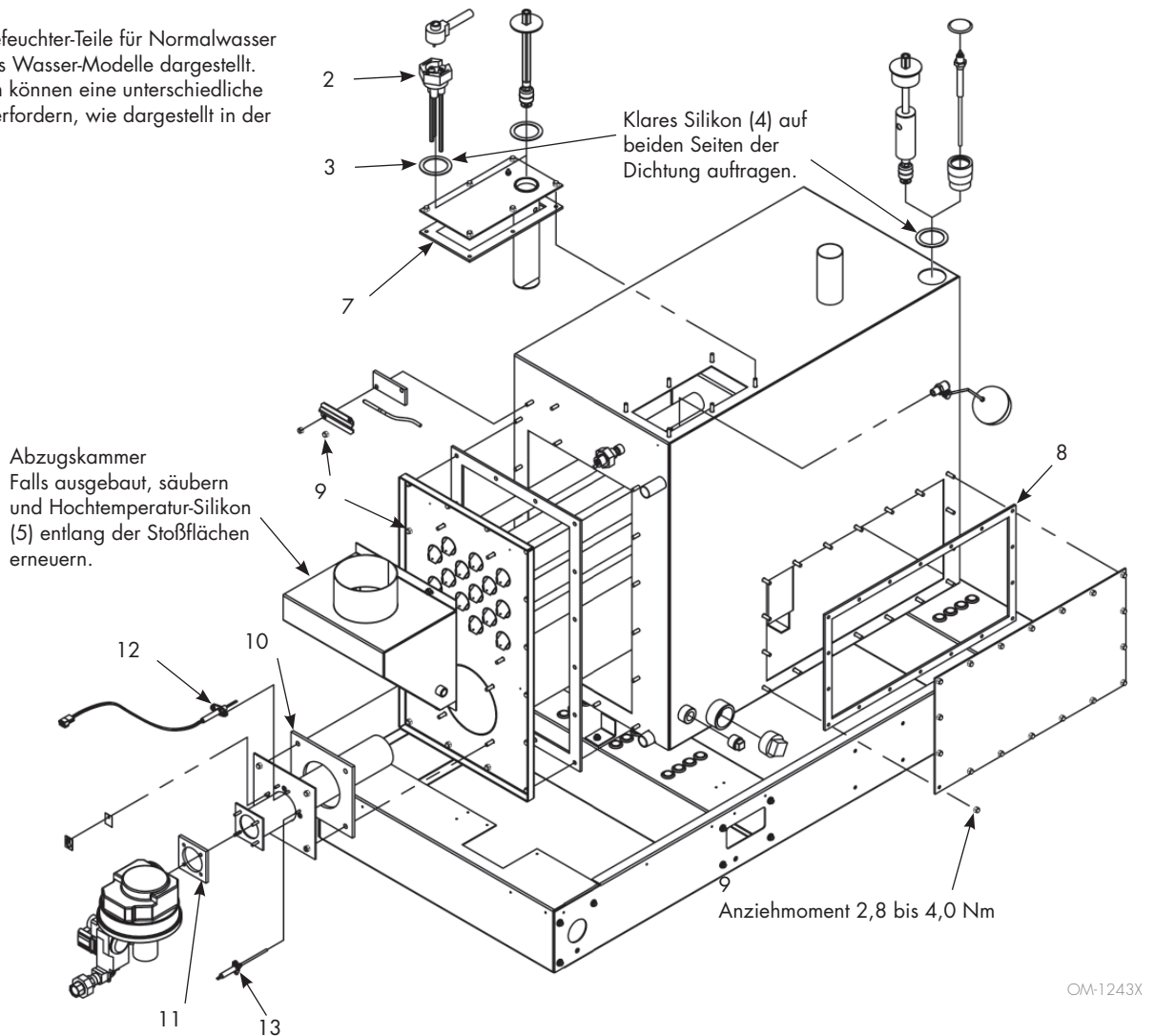
Dieser Wartungssatz enthält Ersatzteile gemäß den Angaben der Teilezeichnung für einen optimalen Betrieb Ihres DRI-STEEM Befeuchters. Die vorliegende Anleitung enthält wichtige Sicherheits- und Wartungsanweisungen und ist kein Ersatz für die mit dem Befeuchter gelieferte Installations- und Bedienungsanleitung. Bitte lesen Sie alle Warnhinweise und Arbeitsanweisungen auf Seite 1.

Bei der Durchführung von Wartungsarbeiten die alten Teile mit den neuen Teilen aus diesem Wartungssatz ersetzen.



Anmerkungen:

- Es werden Befeuchter-Teile für Normalwasser und entsalztes Wasser-Modelle dargestellt.
- Komponenten können eine unterschiedliche Ausrichtung erfordern, wie dargestellt in der Zeichnung.



GTS, Normalwasser, Wartungsanweisungen

INSPEKTIONSINTERVALLE:

- Inspektion durch den Bediener alle 30 Tage.
- Gesamtanlage einmal jährlich durch einen qualifizierten Wartungstechniker.

Anmerk.: Dieses Verfahren vor dem Abkühlen/Abschalten durchführen.

WÄHREND DER INSPEKTION, FOLGENDES ÜBERPRÜFEN:

- Ordnungsgemäßer Betrieb der Brenner. Dazu CO, CO₂%, O₂%, Abzugtemperatur und Brennereffizienz bei 100% Leistungsanforderung und mit Tank auf Siedetemperatur messen. Die Messergebnisse sollten innerhalb der Vorgaben in Tabelle 16-1; liegen; ist dies nicht der Fall, DriSteem konsultieren.

Tabelle 16-1:

GTS-Befeuchter Abgasrichtwerte (bei 100% Leistungsanforderung)

CO	≤ 40 ppm; 0 oder Messwert im niedrigen einstelligen Bereich ist typisch
CO ₂ %	8-10%; 9% ist typisch für Erdgas, 10% ist typisch für Flüssiggas
O ₂ %	4-7%
Abzugtemperatur	< 204,4 °C plus Raumtemperatur
Brennereffizienz	≥ 80%

- Externe Abzugswegen zur Anlage, wie Anschluss zum Abzug und Kamin müssen sauber und frei von jeglicher Blockierung sein.
- Die Abzugverbindung muss korrekt installiert sein, eine Steigung, keine Löcher oder übermäßige Korrosion aufweisen.
- Die Anlage muss ausreichend abgestützt sein und der Boden darf keine Einbrüche oder Spalten zwischen dem Bodenstand oder Tankflanschen aufweisen.
- Es sind keine Anzeichen von Schäden an der Anlage ersichtlich.
- Die Brennerflamme ist bis zu einer Höhe von 6 mm von der Brenneroberfläche blau oder orangefarben.



Befeuchter abkühlen

Bevor jeglichen Wartungsarbeiten zuerst den Tank abkühlen lassen. Wärmeisolierte und nicht gedämmte Tanks weisen heiße Oberflächen auf.

Anmerk.: Zur Abkühlung ist frisches Zusatzwasser erforderlich. Daher den Wasserzulauf erst sperren nachdem der Befeuchter abgekühlt wurde. Andernfalls bleibt der Tank noch für mehrere Stunden heiß.

1. Sicherstellen, es wird keine Befeuchtung gefordert und der Wasserthermostat-Einstellwert liegt unter der aktuellen Raumtemperatur (Einstellung mit Hilfe des Steuergeräts in Anzeige Setup, Vorgabeeinstellung ist

4 °C) damit die Brenner nicht einschalten während der Tank abkühlt.

2. Sicherstellen der Tank ist in Modus Auto damit sich der Tank wieder füllt, wenn die Entwässerung beginnt.
3. Den Tank entwässern:

MODELLE MIT EINEM MANUELLEN ABLAUFVENTIL:

- a. Am Ablaufventil den Ventilhebel, der sich auf der Rückseite des Ventils befindet, von Hand in die Position 'Manuell öffnen' schieben. Das Füllventil öffnet nachdem eine gewisse Menge Wasser aus dem Tank ausgelaufen ist.
- b. Die Wasserzulaufleitung offen lassen, bis sich der Tank ausreichend abgekühlt hat. Dann das bauseitig installierte manuelle Absperrventil der Zulaufleitung schließen.
- c. Den Tank entwässern lassen und danach das Ablaufventil von Hand schließen.

Für Modelle ohne manuelles Ablaufventil, mit Hilfe des Steuergeräts den Abkühlungsprozess durchführen:

- a. Vom Hauptmenü zum folgenden Untermenü verfahren:
 - Vapor-logic3 Steuergerät: Steuermodus
 - Vapor-logic4, 5, 6 Steuergerät: Tank Status.
- b. In Modus Manuelles Ablassen (Vapor-logic3) oder Ablassen (Vapor-logic4, 5, 6) schalten, und den Tank ungefähr zur Hälfte entwässern.
- c. Dann in der Anzeige Auto wählen. Nun öffnet das Füllventil und der Befeuchter kühlt ab.
- d. Wenn das Füllventil schließt wieder Modus Ablassen wählen und den Tank komplett entwässern. Der Befeuchter sollte nun ausreichend abgekühlt sein um daran zu arbeiten.
- e. Weitere Informationen zur Bedienung des Steuergeräts finden Sie in der (Vapor-logic) Installations- und Bedienungsanleitung, welche mit dem Befeuchter ausgeliefert wurde.



Befeuchter abschalten

Die nachfolgenden Anweisungen beachten bevor jegliche Wartungsarbeiten ausgeführt werden (Nachdem der Tank abgekühlt hat und entwässert ist):

1. Mit Hilfe des Steuergeräts den Befeuchter in Modus Standby schalten.
2. Die komplette Stromzufuhr zum Befeuchter mit Hilfe des bauseitigen Sicherungs-Trennschalter sperren und alle Stromtrennschalter in Position AUS sperren.
3. Die bauseitig installierten manuellen Absperrventile der Wasser- und Gasversorgung schließen.

INSPEKTION UND WARTUNG

Jährlich (sowie nach Wartungsarbeiten)

1. Alle Sicherheitsgeräte im Steuerkreis sollten Ein/Aus getaktet werden um deren ordnungsgemäße Funktion zu prüfen. Diese umfassen:
 - Maximal-Grenzwertschalter
 - Luftströmungsschalter
 - Wassermangel-Pegelsonde. Dazu den Stecker an der Sonde abziehen; Das Füllventil sollte nun schalten.
 - Sicherheits-Wasserniedrigstandsonde
2. Den Tank, Verrohrung und Dichtungen auf Wasser- und Gaslecks überprüfen.

Saisonal (oder wie erforderlich, abhängig von der Wasserqualität)

1. Den Tank reinigen:
 - a. Die Abdeckung der Reinigungsöffnung entfernen und jeglichen Kesselstein der sich am Tankboden abgelagert hat entfernen. Die Reinigung sollte jeweils erfolgen, bevor der abgelagerte Kesselstein die Unterseite des Wärmetauscher berührt.
 - b. Den Tank auf der Innenseite inspizieren speziell im Bereich des Ablaufventilanschlusses und diesen Bereich gründlich von allen Ablagerungen befreien.
2. Das Ablaufventil und die dazugehörige Verrohrung ausbauen und reinigen.
3. Die Sonden reinigen:

Zugang zur Sondenbaugruppe ist entweder von der Schalttafel her oder durch Abnahme der oberen Abdeckung über dem Elektrobereich möglich.

 - a. Die Sondenstecker- und Kabel-Baugruppe abziehen und die Sondenstab-Baugruppe aus dem Sondengehäuse herausschrauben.
 - b. Das Sondengehäuse inspizieren und reinigen, dabei darauf achten, dass alle Durchgänge frei sind. Das Gehäuse aus dem Tank durch Abnahme der Abdeckung vom Tank ausbauen.
 - Der Kesselstein sollte sich leicht von den Sondenstäben lösen.
 - Die unteren 10 mm jeden Stabs sind der Sensorteil; diesen Bereich jeweils mit einer Stahlbürste, Scheuerpad oder Stahlwolle reinigen.
 - c. Den Verbundkunststoffteil der Sondenstäbe auf Risse, raue Oberflächen oder Verwitterung prüfen und wenn vorhanden, Sondenbaugruppe ersetzen.
 - d. Die Sonden-Baugruppe wieder montieren.
4. Den Skimmer-/Überlaufanschluss reinigen:
 - a. Wasser sollte nach jedem Fülltakt über das Skimmerablaufrohr auslaufen. Diesen Ablaufvorgang einmal wöchentlich einer Sichtprüfung unterziehen.
 - b. Ablagerungen in und um den Skimmer-/Überlaufanschluss mit einem langen Schraubendreher oder ähnlichem Werkzeug entfernen.
- c. Ist der Durchfluss durch den Geruchsverschluss/P-Siphon aufgrund von Ablagerungen behindert, folgendes durchführen:
 - Die Geruchsverschluss-Verrohrung vom Befeuchter lösen und durchspülen.
 - Sollten die Ablagerungen im Geruchsverschluss bereits verhärtet sein, die Verrohrung erneuern.
5. Den Abschaltensor-bei-Wassermangel reinigen: Die Gehäuseabdeckung abnehmen und den Sondenstab auf Mineralablagerungen überprüfen. Die Sonde befindet sich oben auf der Rückseite des Tanks. Die Sonde mit Edelstahlwolle reinigen.
6. Den Gebläsemotor überprüfen: Der Motor ist wartungsfrei, es ist keine Schmierung erforderlich.
7. Den Staub entfernen: Mit einem Staubsauger den Staub aus den Bereichen um den Motor, Gebläse(n) und Luftklappen des Gehäuses entfernen.
8. Nach erfolgter Wartung:
 - a. Die Muttern der Reinigungsöffnung-Abdeckung mit einem Anziehmoment von 2,8 bis 4,0 Nm festziehen.
 - b. Sicherstellen, die Sondenhalterung sitzt fest und die Sondenstecker- und Kabel-Baugruppe ist an der Sondenhalterung eingesteckt.
 - c. Sicherstellen, die Ablaufventil-Baugruppe ist in Position "Geschlossen".
 - d. Alle abgenommenen Abdeckungen und Türen wieder montieren.
 - e. Die Wasserzufuhr öffnen.
 - f. Die Stromversorgung einschalten.
 - g. Die Gaszufuhr öffnen.

Nach erfolgter Wartung muss der Befeuchter über mehrere Fülltakte überwacht werden, um sicherzustellen, alle gewarteten Teile funktionieren ordnungsgemäß und die Abdeckungen und Sondenhalterung weisen keine Undichtigkeiten auf.

WARTUNG AUSSERHALB DER SAISON

1. Eine komplette Inspektion und Reinigung folgender Teile durchführen:
 - Sondenstäbe
 - Skimmeranschluss und Wasserdichtung
 - Befeuchtertank
 - Wärmetauscher
2. Nach erfolgter Reinigung sollte der Befeuchter leer bleiben, bis eine Befeuchtung erforderlich wird.

INSPEKTION DER BRENNER UND WÄRMETAUSCHERROHRE

Dieser Wartungspunkt muss nicht regelmäßig durchgeführt werden, falls sich jedoch in den Wärmetauscherrohren Kohlenstoffablagerungen, Ruß oder andere Ablagerungen bilden, sollten sie wie folgt gereinigt werden:

1. Gas- Strom- und Wasserzufuhr sperren.
2. Das Gehäuse der Gasleitung entfernen.
3. Die Verdrahtung zu Gebläsen, Flammensensoren, Gasventilen und Zündsteuerungen lösen und Brenner ausbauen (jeder Brenner ist mit vier Schrauben befestigt).
4. Abzugkammer abnehmen.
5. Mit Hilfe einer 150 mm Rohrbürste und einer 600 mm Verlängerung, die in eine Bohrmaschine (mit Vorwärts-/Rückwärtsgang) eingespannt werden, alle Brennerkammern reinigen.
Anmerkung: Der Zusammenbau der einzelnen Brennerkammern und Brenner wird erleichtert, wenn die jeweilige Demontage der Bauteile einer Brenner-Baugruppe und die anschließende Reinigung einzeln erfolgt.
6. Lose Ablagerungen, die in den hinteren Teil des Verteilers gefallen sind, mit einem Staubsauger mit Schlauchverlängerung entfernen.
7. Die Rücklaufrohre DN40 prüfen und wenn erforderlich, reinigen.
8. Mit einer dünnen Bürste zwischen Turbulenzerzeuger und Rohrwand alle vier Seiten reinigen.
9. Die Brenner-Baugruppen und Dichtungen; Abzugskammer und Dichtung, die gesamte Verdrahtung, das Gehäuse der Gasleitung und Druckwächterverbindungen wieder installieren und anschließen.

BRENNERWARTUNG

Unter normalen Betriebsbedingungen müssen die Brenner höchstens alle fünf Jahre gereinigt werden. Jedoch kann, abhängig von der Betriebsumgebung, eine häufigere Reinigung der Brenner erforderlich sein. Verschmutzte Brenner führen zu einer Leistungsminderung. Für Betriebsumgebungen mit hoher Luftverschmutzung, Befeuchter mit geschlossener Verbrennung einsetzen. Siehe nachfolgende Anweisungen zur Brennerwartung.

ANWEISUNGEN ZUR BRENNERWARTUNG

Zur Wartung des Brennersystems Brenner und Gebläse der Anlage reinigen. Dazu das Gebläse ausbauen und den Staub vom Laufrad entfernen. Brenner zur Reinigung ausbauen. Der Zusammenbau wird erleichtert, wenn die Brenner einzeln ausgebaut und gereinigt werden. Schmutzpartikel von der Brenneroberflächenmatrix mit Hilfe von Druckluft (max. 700 kPa) entfernen. Die Druckluftdüse ca. 50 mm senkrecht von der Brenneroberfläche halten und in Längsrichtung hin und her bewegen. Dadurch werden die Partikel aus der Brennermatrix zurück in den Brenner geblasen. Druckluft nicht horizontal über die Brenneroberfläche blasen, da die Oberfläche dadurch beschädigt werden kann. Die Schmutzpartikel vom Brenner durch den Luft-/Gaseinlass fallen lassen und von dort mit einem Staubsauger entfernen.

Inbetriebnahme

Zuerst die jährlichen Sicherheitsprüfungen in Abschnitt Inspektion und Wartung auf Seite 4 durchführen.

Nach erfolgter Wartung muss der Befeuchter über mehrere Fülltakte überwacht werden, um sicherzustellen, alle gewarteten Teile funktionieren ordnungsgemäß. Siehe auch Abschnitt Inbetriebnahme in der Befeuchter-Installations- und Bedienungsanleitung.

DrüSteeM Produkte sind garantiert für einen Zeitraum von zwei Jahren ab dem Kaufdatum entsprechend den Konditionen der zweijährigen begrenzten Gewährleistung. Siehe mit dem Befeuchter gelieferte Literatur für Einzelheiten zur Gewährleistung.

DRI-STEEM Corporation

Zertifiziert gemäß ISO 9001: 2000

Europäischer Niederlassung:

Marc Briers

Grote Hellekensstraat 54 b

B-3520 Zonhoven

Belgien

+3211823595 (Tel)

+3211817948 (Fax)

E-mail: marc.briers@dristeem.com

US-Hauptsitz:

14949 Technology Drive

Eden Prairie, MN 55344

+1 800-328-4447 oder +1 952-949-2415

+1 952-229-3200 (Fax)

DRI-STEEM Corporation praktiziert eine fortwährende Produktentwicklung; deshalb behalten wir uns Produktänderungen ohne Vorankündigung vor.

DRI-STEEM, GTS, und Vapor-logic sind eingetragene Warenzeichen von DRI-STEEM Corporation und als eingetragene Warenzeichen in Kanada und der EU beantragt.

Drane-kooler ist ein Warenzeichen von DRI-STEEM Corporation.

© 2015 DRI-STEEM Corporation

Form-Nr. GTS-standard_Service_Kit_
Manual_0715

Teile-Nr. 891000-101 Rev D