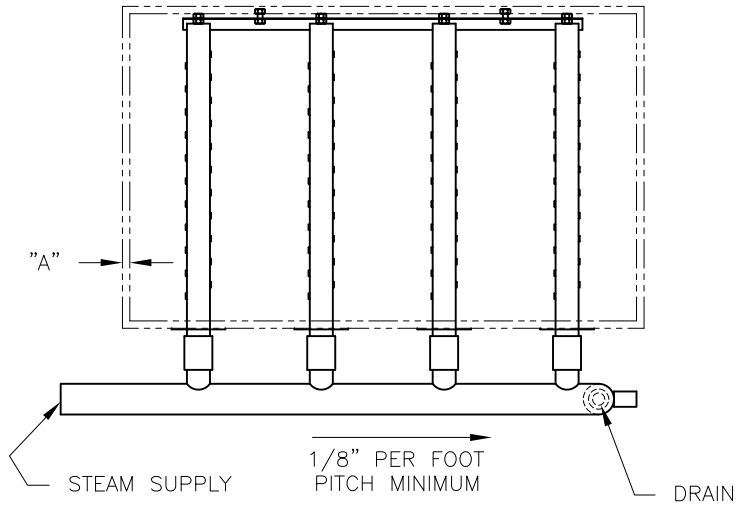
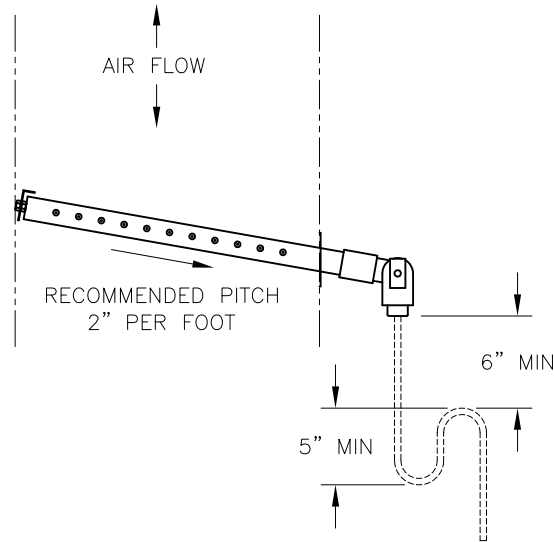


PLAN VIEW

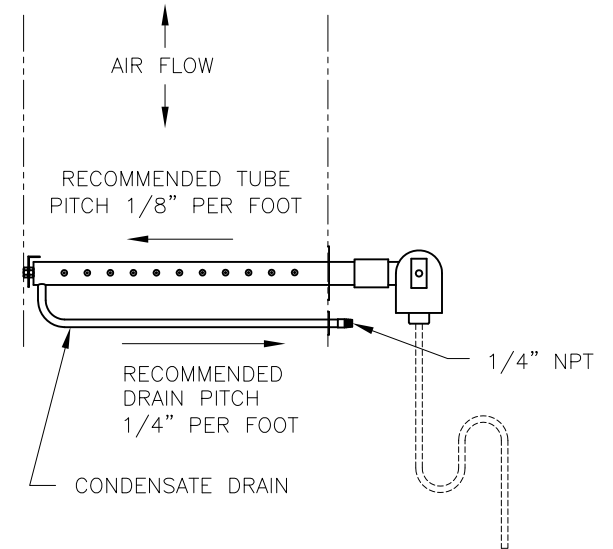


"A" = WALL OR INSULATION THICKNESS
NOTE: HEADER CAPACITIES AND PITCH (1/8" PER FOOT) REQUIREMENTS WILL NOT CHANGE.

ELEVATION
TUBE W/O DRAIN



ELEVATION
TUBE WITH DRAIN



HEADER DIA.	CAPACITY
2"	250 #/HR
3"	500 #/HR
4"	800 #/HR
5"	1300 #/HR
6"	2100 #/HR

SEE OM-609 FOR ADDITIONAL ORDER INFORMATION

TUBE DIA.	W/O CONDENSATE* DRAIN		WITH CONDENSATE* DRAIN	
	INSULATED	NONINSULATED	INSULATED	NONINSULATED
1 1/2"	29 #/HR	28 #/HR	65 #/HR	62 #/HR
2"	65 #/HR	62 #/HR	97 #/HR	93 #/HR

* FACE HEIGHTS OF LESS THAN 26" MAY HAVE REDUCED TUBE CAPACITIES. CONTACT DRISTEEM

C	10/25/11	EC# 5554
B	11/3/09	EC# 4960
A	2/5/02	EC# 7577
REV	DATE	RECORD
DATE: 1-8-92		DWG: OM-7577