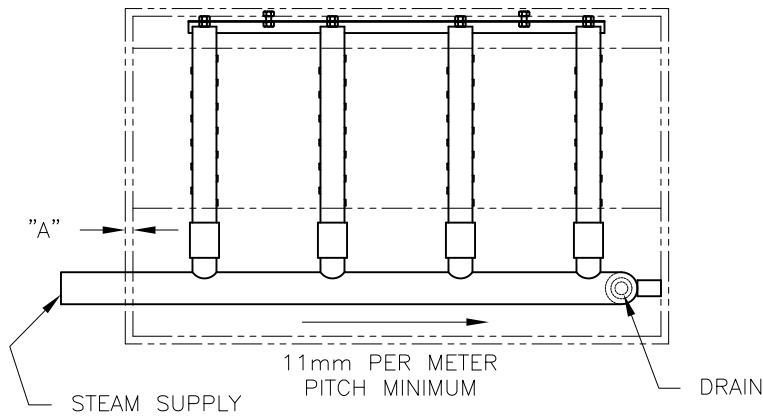
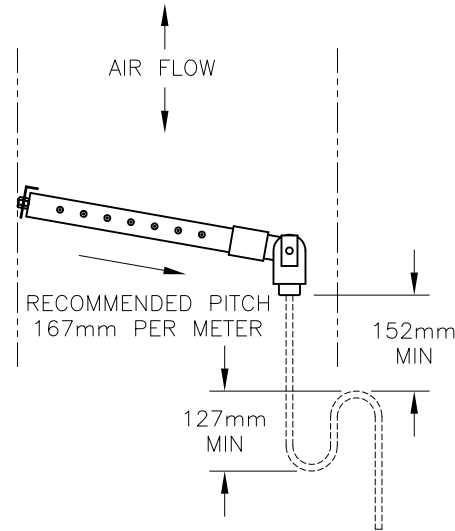


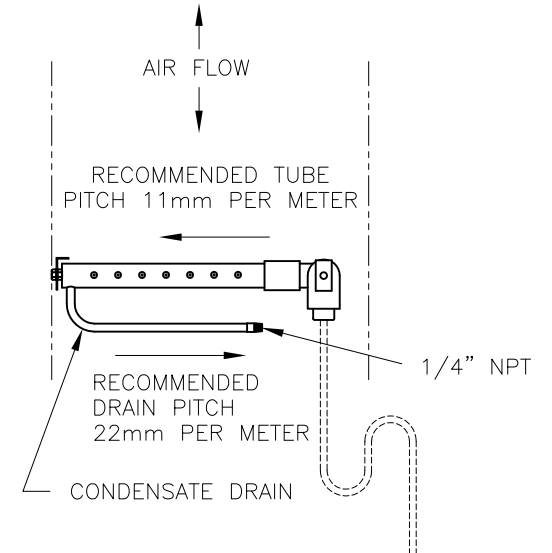
PLAN VIEW



ELEVATION
TUBE W/O DRAIN



ELEVATION
TUBE WITH DRAIN



"A" = WALL OR INSULATION THICKNESS
NOTE: HEADER CAPACITIES AND PITCH (11mm PER METER)
REQUIREMENTS WILL NOT CHANGE.

HEADER DIA.	CAPACITY
DN50	113 Kg/HR
DN80	226 Kg/HR
DN100	363 Kg/HR
DN125	590 Kg/HR
DN150	953 Kg/HR

TUBE DIA.	W/O CONDENSATE* DRAIN		WITH CONDENSATE* DRAIN	
	INSULATED	NONINSULATED	INSULATED	NONINSULATED
DN40	13.2Kg/HR	12.7Kg/HR	29.5Kg/HR	28.2Kg/HR
DN50	29.5Kg/HR	28.2Kg/HR	44.1Kg/HR	42.3Kg/HR

SEE OM-608 FOR ADDITIONAL
ORDER INFORMATION.

* FACE HEIGHTS OF LESS THAN 660mm MAY HAVE
REDUCED TUBE CAPACITIES. CONTACT DRISTEEM

C	10/25/11	EC# 5544
B	11/3/09	EC# 4960
A	2/18/03	EC# 3480
REV	DATE	RECORD
DATE: 2/18/03		DWG: OM-909