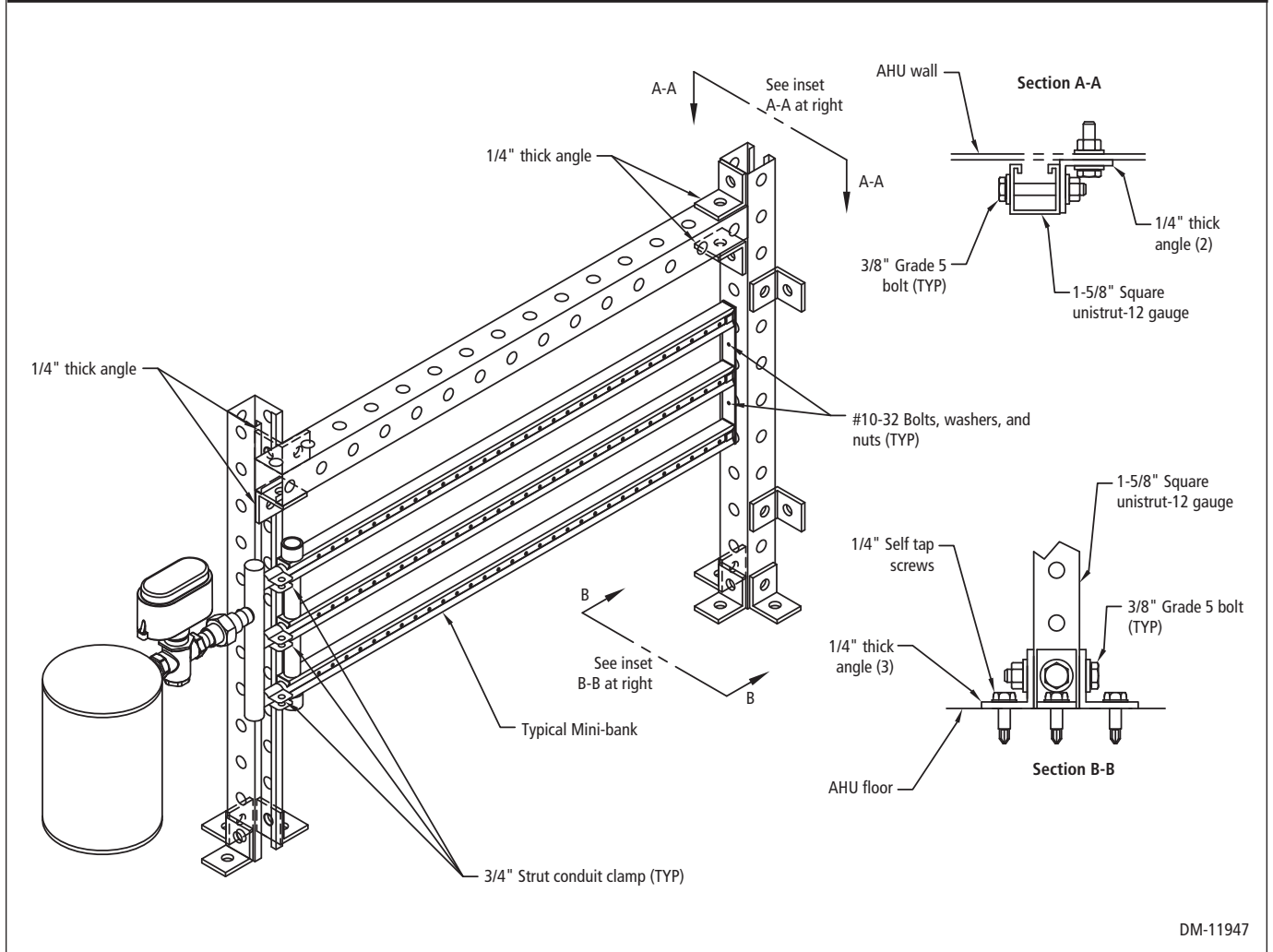


# Seismic Mini-bank AHU

**Figure 1-1:**  
Mini-bank seismic certification option installation in an air handling unit



DM-11947