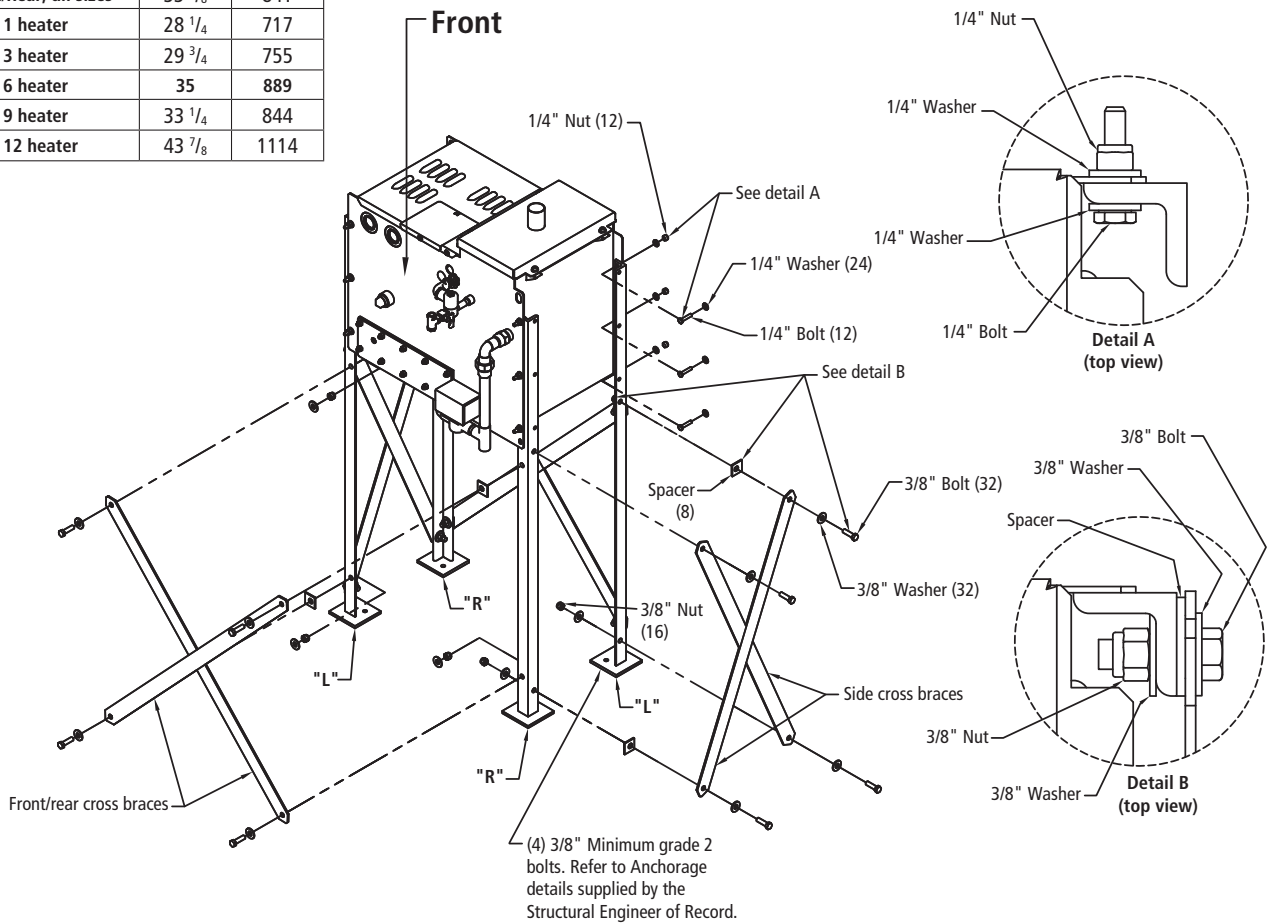


Seismic Vaporstream Floor Mount

**Figure 1-1:
Vaporstream floor mount seismic certification option installation**

Crossbrace	Length	
	in	mm
Front/Rear, all sizes	33 1/8	841
Side, 1 heater	28 1/4	717
Side, 3 heater	29 3/4	755
Side, 6 heater	35	889
Side, 9 heater	33 1/4	844
Side, 12 heater	43 7/8	1114



Notes:

1. The two leg weldments with "R" marked on the bottom of the feet are used in these locations. Holding the leg weldments so that the angle iron is in the shape of an "L" when looking at it from the top, these have the fourth hole closer to the third hole on the vertical part of the "L".
2. The height from floor to bottom of tank is 30 1/2 in (774 mm).
3. All hardware shown supplied by DRI-STEEM.

DM-11906