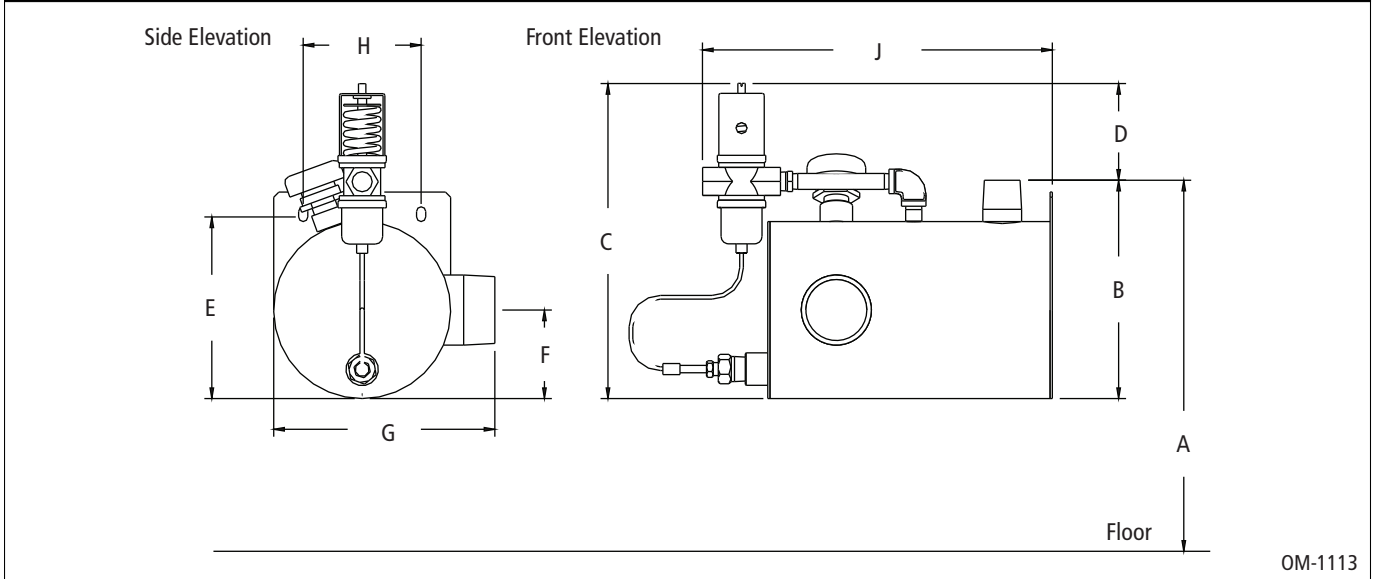


Drane-kooler water tempering device

**Figure 1-1:
Drane-kooler dimensions**



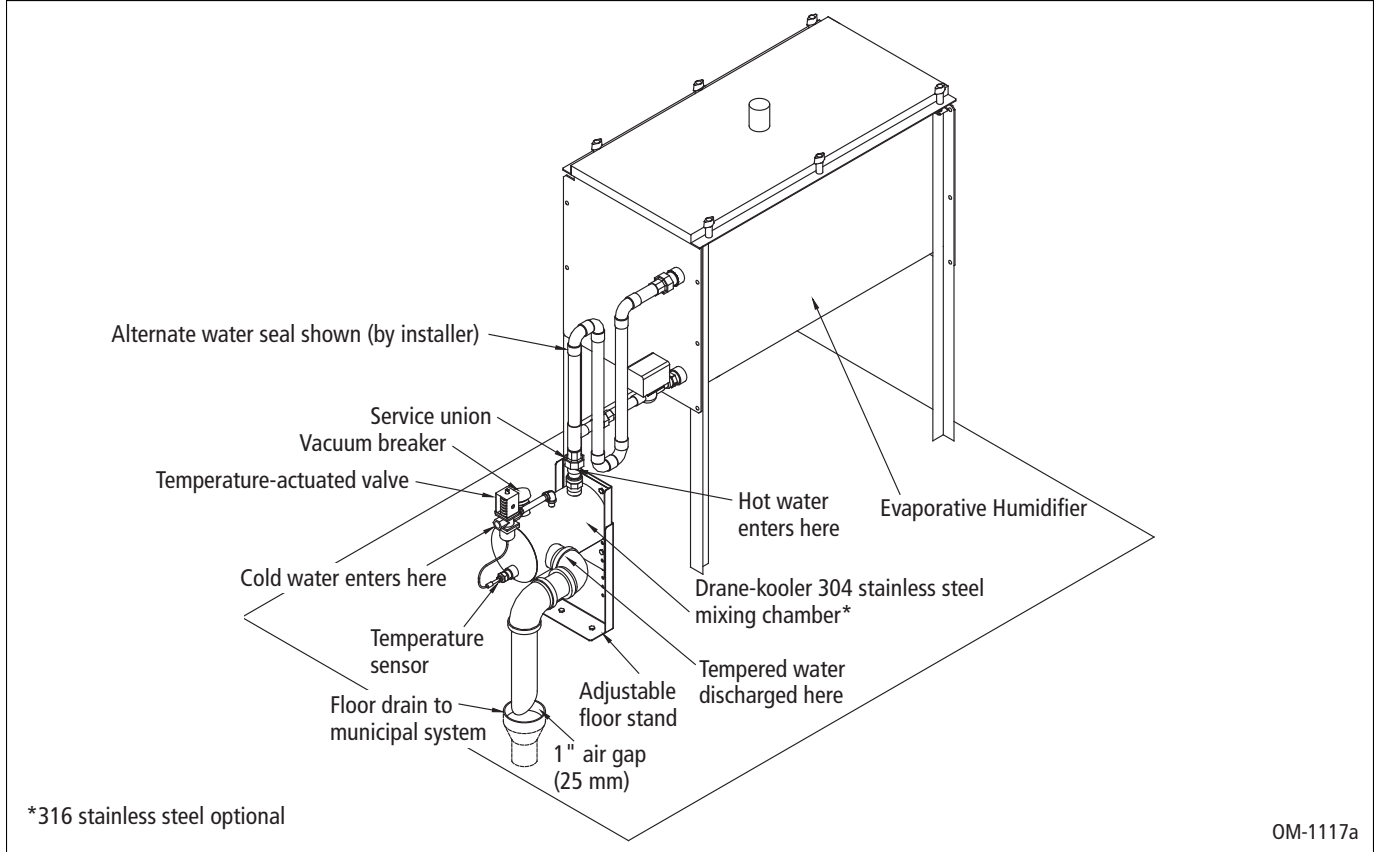
OM-1113

**Table 1-1:
Drane-kooler dimensions**

	Description	inches	mm
A	Height with floor stand (from floor to top of hot water inlet in 1" [25 mm] increments)	8.25 to 12.25	210 to 312
	Height with floor stand and extension (from floor to top of hot water inlet in 1" [25 mm] increments)	13.25 to 20.25	337 to 515
B	Height from bottom of tank to top of hot water inlet	7.5	191
C	Height from bottom of tank to top of valve	10.5	268
D	Height from top of hot water inlet to top of valve	3.0	76
E	Height from bottom of tank to center of mounting hole	6.25	159
F	Height from bottom of tank to center of tempered water outlet	3.0	76
G	Width of tank and tempered water outlet	7.5	191
H	Width of mounting plate holes, center to center	4.0	102
J	Length, from valve inlet to mounting plate	12.0	305

Drane-kooler water tempering device

**Figure 2-1:
Optional floor mount piping example**



**Table 2-1:
Drane-kooler capacities***

	Maximum flow rate		Maximum temperature	
	U.S. gpm	L/m	°F	°C
Hot water inflow	6	22.7	212	100
Cold water inflow**	6	22.7	70	21
Tempered water outflow	12	45.4	140	60

Note:

* This table applies only if one humidifier is connected to one Drane-kooler, with no more than 10' (3m) of vertical dimension between the Drane-kooler and the humidifier.

** Cold water inflow pressure must be between 25 psi and 80 psi (172 kPa and 552 kPa).

**Table 2-2:
Drane-kooler connections**

Hot water inlet connection	1" (DN25) pipe thread
Tempered water outlet connection	2" (DN50) pipe thread
Cold water supply connection	3/8" (DN10) pipe thread

**Table 2-3:
Drane-kooler material**

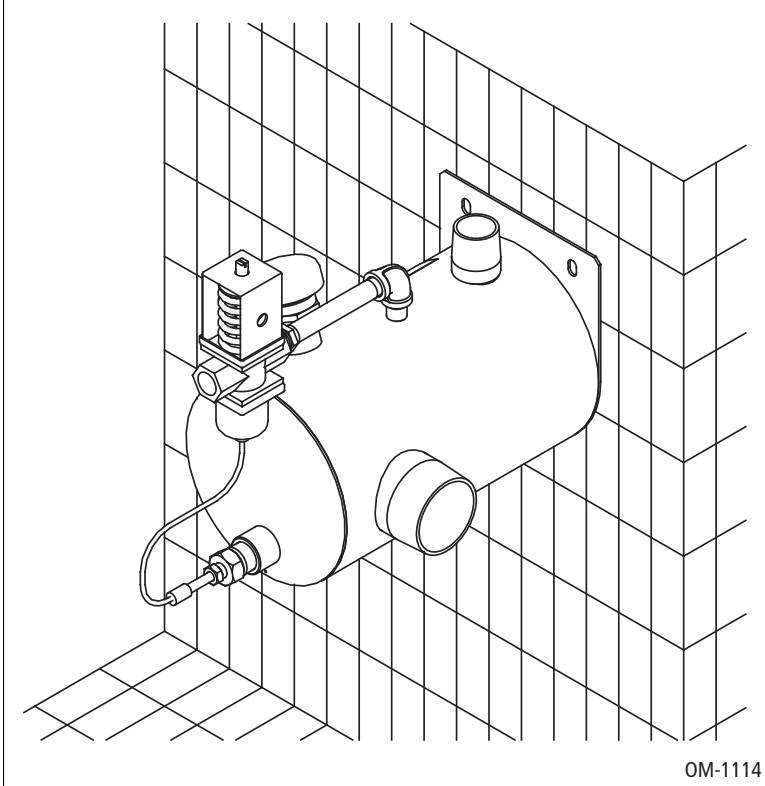
	Description	Material
A	Drane-kooler body Optional material	304 stainless steel 316 stainless steel
B	Valve body	Bronze
C	Vacuum breaker	Brass

**Table 2-4:
Drane-kooler weights**

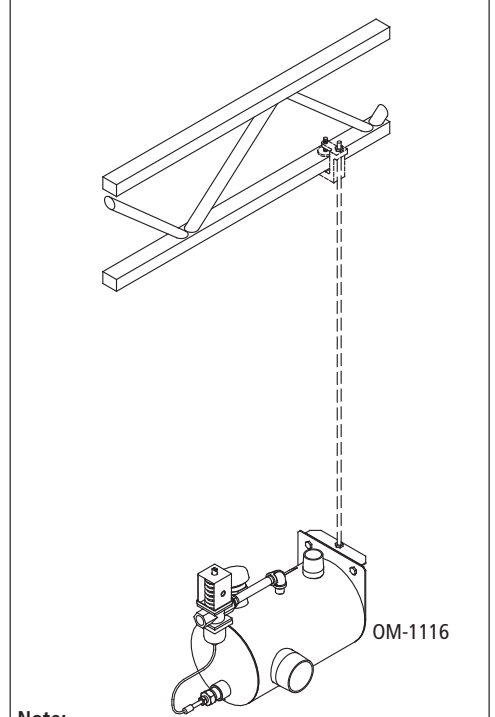
	lbs	Kg
Shipping weight	9.5	4.3
Operating weight	15	6.8

Drane-kooler water tempering device

**Figure 3-1:
Standard wall mount**



**Figure 3-2:
Optional suspension mount***



Note:

* The optional suspension mount hanger assembly includes an L-bracket, two nuts, and two bolts that attach to the Drane-kooler. Beam clamp assembly and 1/4" threaded rod are supplied by others.

**Figure 3-3:
Optional floor mount**

