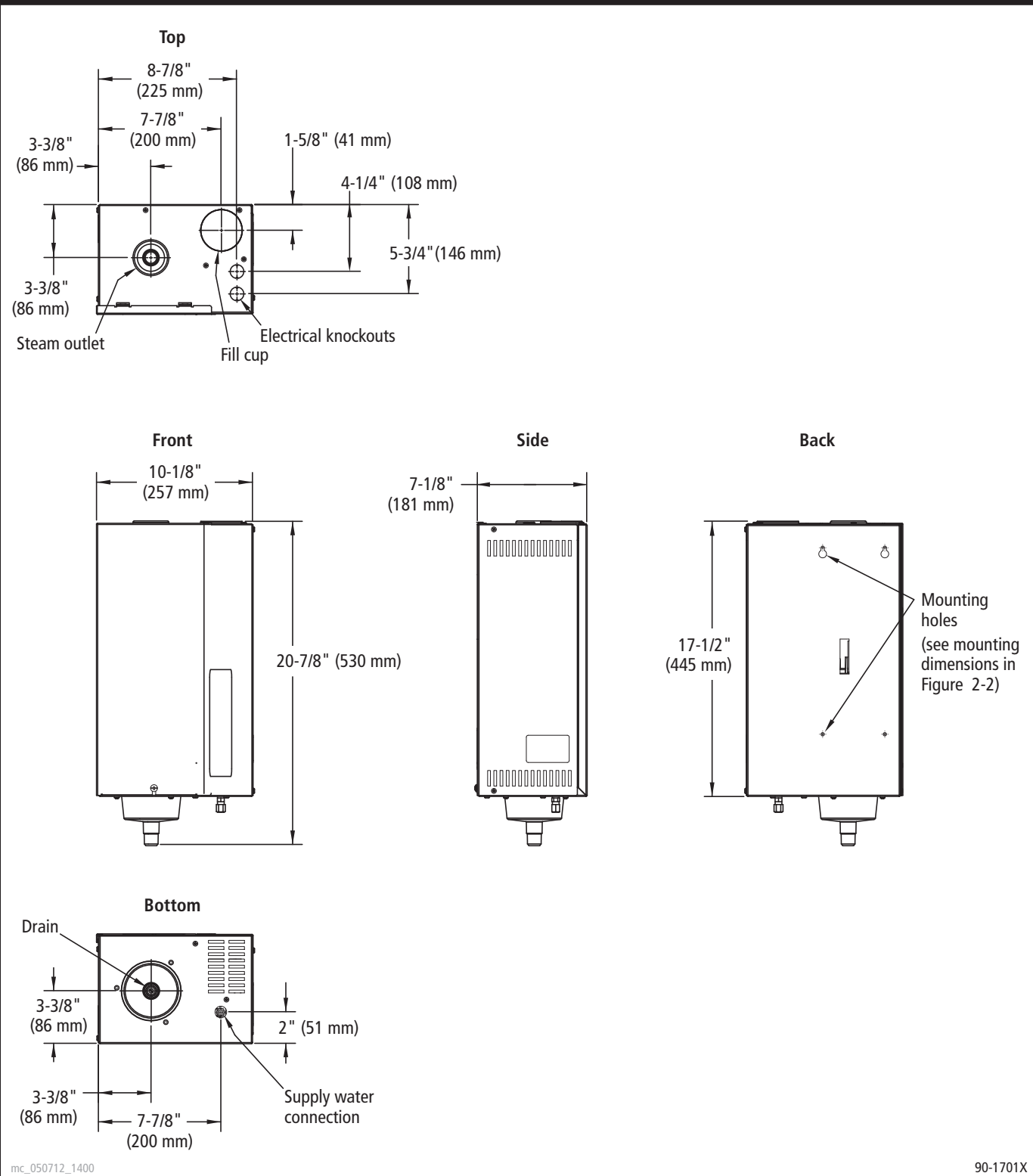


DriSteem XTR humidifier mechanical specifications

**Figure 1-1:
XTR humidifier dimensions**



XTR humidifier clearances, mounting dimensions, and specifications

Figure 2-1:
XTR humidifier recommended minimum clearances

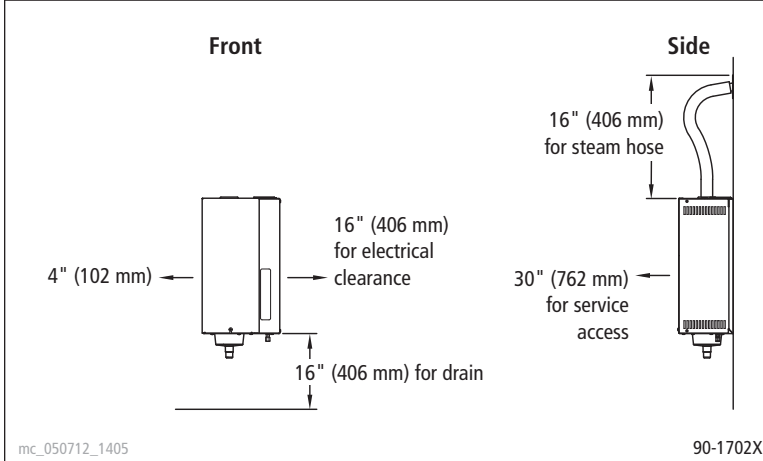


Figure 2-2:
XTR humidifier mounting holes

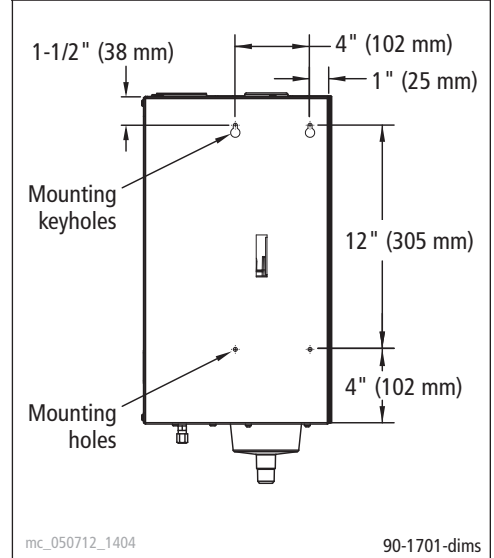


Table 2-1:
XTR humidifier capacities and electrical specifications

Voltage	Input power	Nominal steam capacity		Nominal current draw	Maximum line current	Recommended fusing
		lbs/hr	kg/h			
120V, 60 Hz	1.9 kW	5.6	2.5	16.0 A	19.2 A	25 A
208V, 60 Hz	3.3 kW	9.9	4.5			
230V, 50 Hz	3.7 kW	10.8	4.9			
240V, 60 Hz	3.8 kW	11.3	5.1			

Table 2-2:
XTR humidifier weights and dimensions

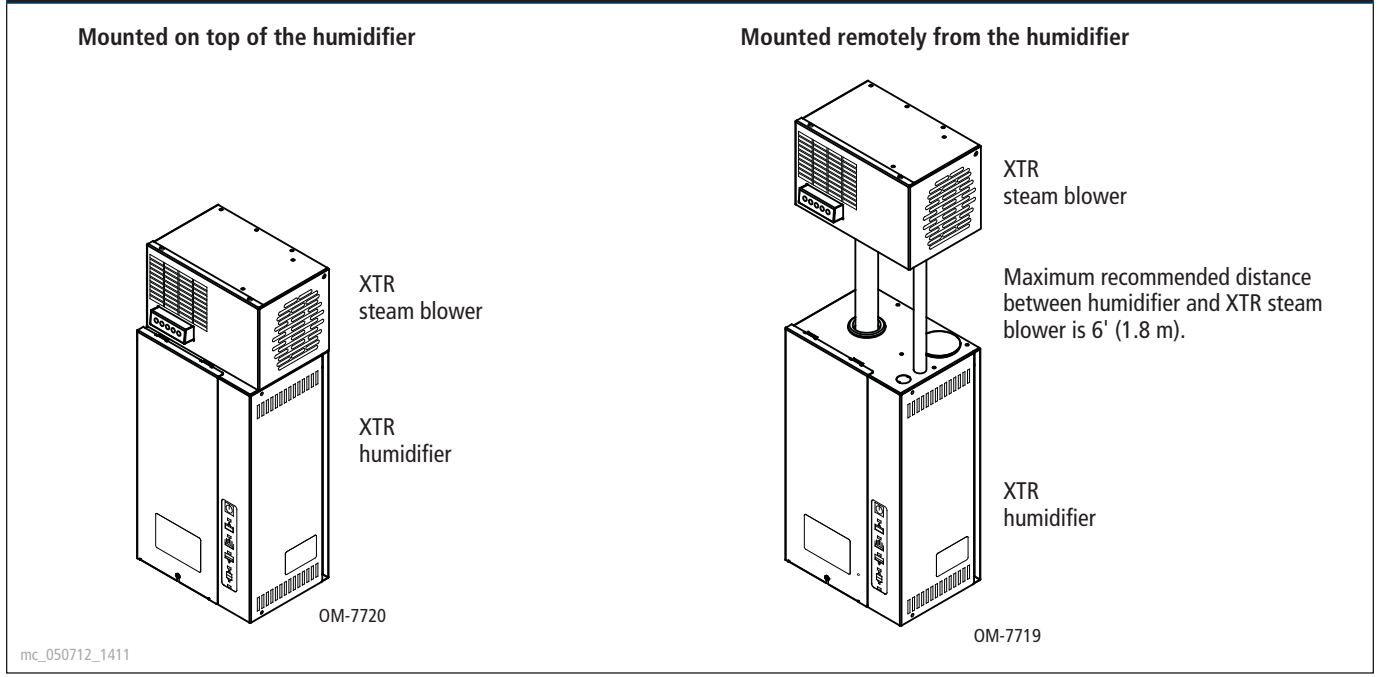
Shipping weight		Maximum operating weight		Dimensions					
				Width		Height		Depth	
lbs	kg	lbs	kg	inches	mm	inches	mm	inches	mm
27.0	12.2	23.0	10.4	10-1/8	257	20-7/8	530	7-1/8	181

mc_050712_1409

XTR steam blower

XTR steam blowers are designed for use in finished spaces. They disperse steam into open spaces and are used where there are no air-handling ducts.

**Figure 3-1:
XTR steam blower dispersion**



mc_050712_1411

Sequence of operation

On a call for humidity the XTR humidifier produces steam and activates the XTR steam blower. The steam blower distributes the steam to the room. When the call for humidity ends and the humidifier stops producing steam, the steam blower operates for another two minutes to distribute the remaining steam before deactivating.

XTR steam blower rise, spread, throw

As steam is discharged from the steam blower, it quickly cools and turns to a visible fog that is lighter than air. As this fog is carried away from the steam blower by the airstream, it tends to rise toward the ceiling. If the fog contacts solid surfaces (columns, beams, ceiling, pipes, etc.) before it disappears, it could condense and drip. The greater the space relative humidity, the further the fog will rise, spread, and throw.

Table 4-1 lists the maximum rise, spread, and throw non-wetting distances for XTR humidifiers with XTR steam blowers. Surfaces cooler than ambient temperature, or objects located within this minimum dimension, could cause condensation and dripping. To avoid steam impingement on surrounding areas, observe the minimum non-wetting distances in the table.

Figure 4-1:
XTR steam blower rise, spread, throw

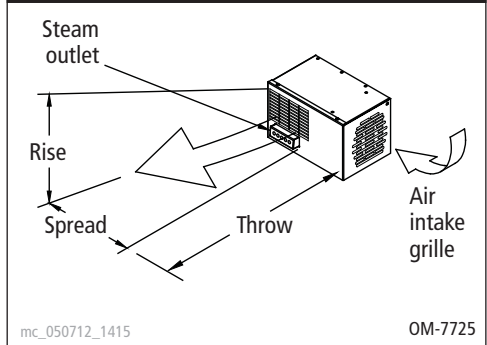


Table 4-1:

XTR steam blower rise, spread, and throw non-wetting distances for 16.0 Amp current mode

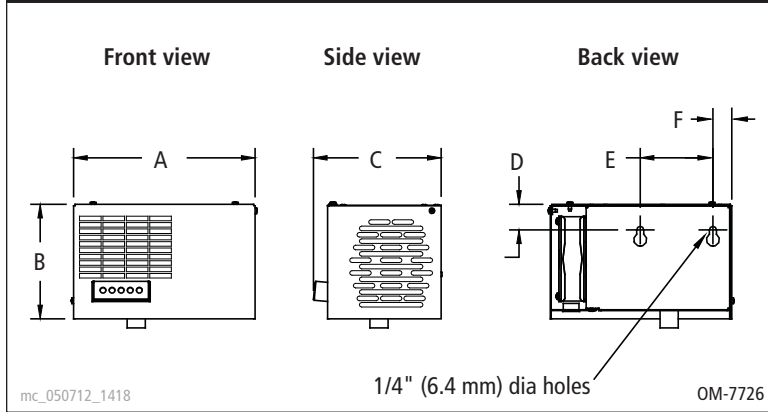
XTR humidifier voltage	Maximum steam capacity		30% RH @ 70 °F (21 °C)						50% RH @ 70 °F (21 °C)					
			Rise		Spread		Throw		Rise		Spread		Throw	
			ft	m	ft	m	ft	m	ft	m	ft	m	ft	m
120	5.6	2.5	1.4	0.4	1.2	0.4	3.8	1.2	2.4	0.7	1.4	0.4	5.2	1.6
208	9.9	4.5	2.4	0.7	1.4	0.4	4.1	1.3	3.2	1.0	1.6	0.5	5.7	1.7
230	10.8	4.9	2.8	0.9	1.5	0.5	4.3	1.3	3.5	1.1	1.7	0.5	6.1	1.9
240	11.3	5.1	2.9	0.9	1.5	0.5	4.3	1.3	3.6	1.1	1.7	0.5	6.2	1.9

Rise: Minimum non-wetting height above steam outlet of steam blower
 Spread: Minimum non-wetting width from steam outlet of steam blower
 Throw: Minimum non-wetting horizontal distance from steam outlet of steam blower

mc_050712_1412

XTR steam blower dimensions and specifications

**Figure 5-1:
XTR steam blower dimensions**



**Table 5-1:
XTR steam blower dimensions**

Dimension	inches	mm
A	10	254
B	6-1/4	159
C	7	178
D	1-3/8	35
E	4	102
F	1	25

mc_050712_1417

**Table 5-2:
XTR steam blower specifications**

Steam blower model	Shipping weight		Operating weight		Sound*
	lbs	kg	lbs	kg	dBA*
SDU-003E	8.8	4.0	6.8	3.1	< 38

Notes:

- * Sound measurement taken 6.5' (2 m) in front of steam blower cabinet.
- Input voltage: 24 VAC, supplied by XTR humidifier.
- Steam blower ships separately from humidifier.

mc_050712_1416

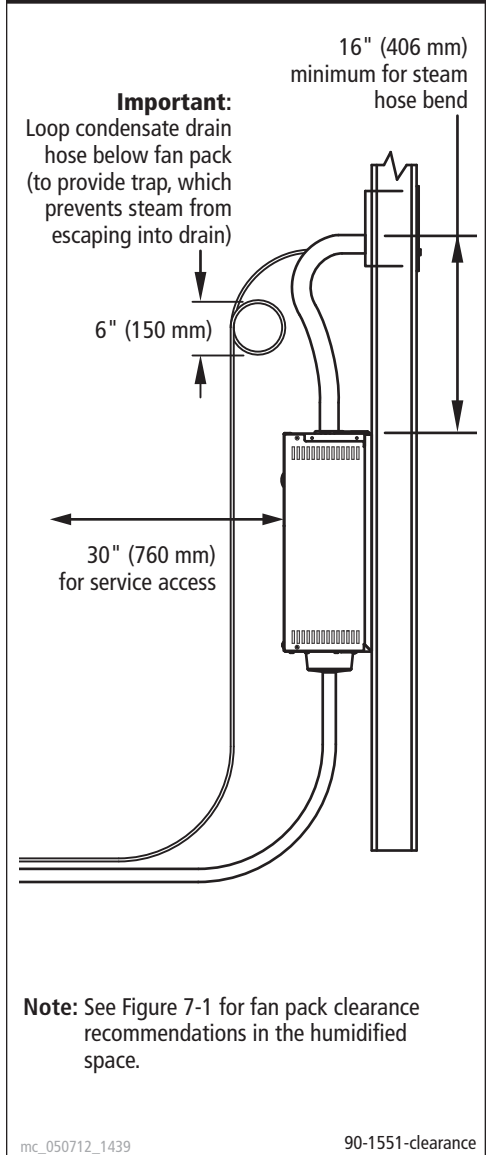
XTR fan pack

XTR fan packs are designed for use in finished spaces. They disperse steam into open spaces and are used where there are no air-handling ducts.

On a call for humidity the XTR humidifier produces steam and activates the XTR fan pack. The fan pack distributes the steam to the room. When the call for humidity ends and the humidifier stops producing steam, the fan pack operates for another two minutes to distribute the remaining steam before deactivating.

Due to condensation inside the hose or pipe, the output of the fan pack depends on the length of the steam hose or pipe connecting it to the humidifier. The fan pack will deliver the nominal output of steam with up to 24" (610 mm) of steam hose or insulated pipe (see Table 2-1). Each additional 24" of hose or pipe will reduce steam output by approximately 0.3 lbs/hr (0.1 kg/h).

Figure 6-1:
XTR fan pack and humidifier
recommended dimensions and clearances



XTR fan pack recommended minimum clearances

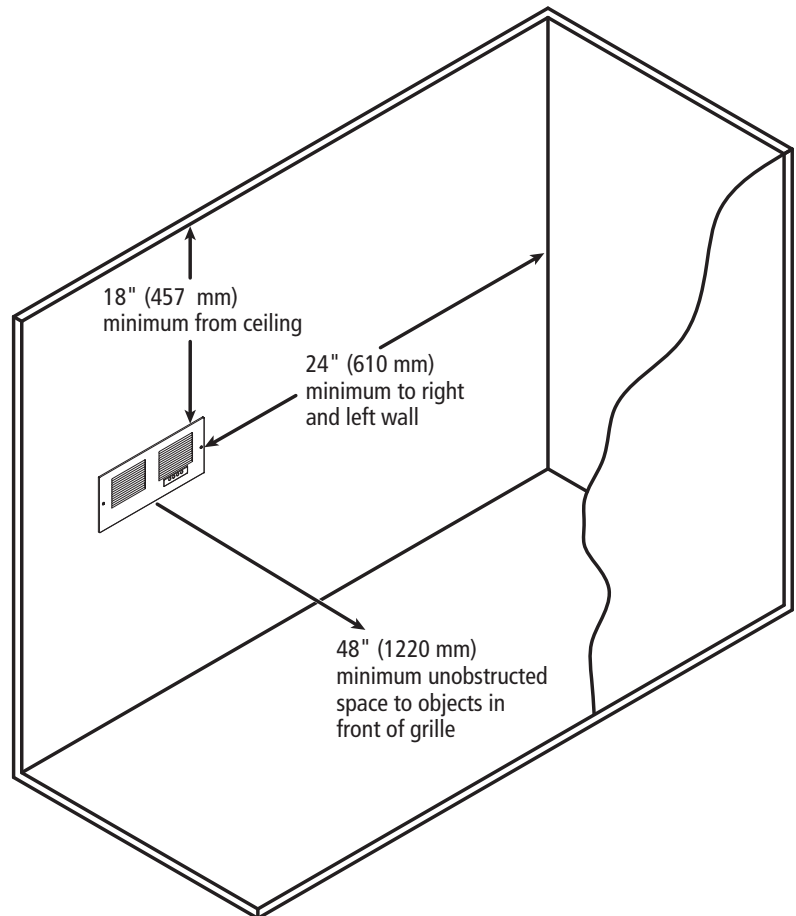
To ensure even distribution, install the fan pack in a central location. If a central location is not available, it may be necessary to install two systems for more even steam distribution.

To prevent condensation on surfaces and furnishings, install the fan pack so the steam being discharged has enough room to be absorbed into the air before encountering surfaces. See Figure 7-1.

Figure 7-1:
XTR fan pack recommended minimum clearances in humidified space

Distances provided are recommended minimums. These guidelines are for a 120V installation with fan pack discharging into a space with 70 °F (21 °C) air temperature and 40% RH.

- If XTR humidifier operates on 208V or higher, allow 12" (305 mm) additional space between grille and any obstruction or surface.
- If room temperature is less than 70 °F (21 °C), allow an additional 6" (150 mm) to each distance for every 2 °F (1.1 °C) drop in temperature.
- If RH set point is higher than 45%, allow an additional 12" (305 mm) of space between grille and any obstruction or surface.
- Warmer room air temperature and RH below 35% will reduce the amount of unobstructed space required to absorb discharged steam.

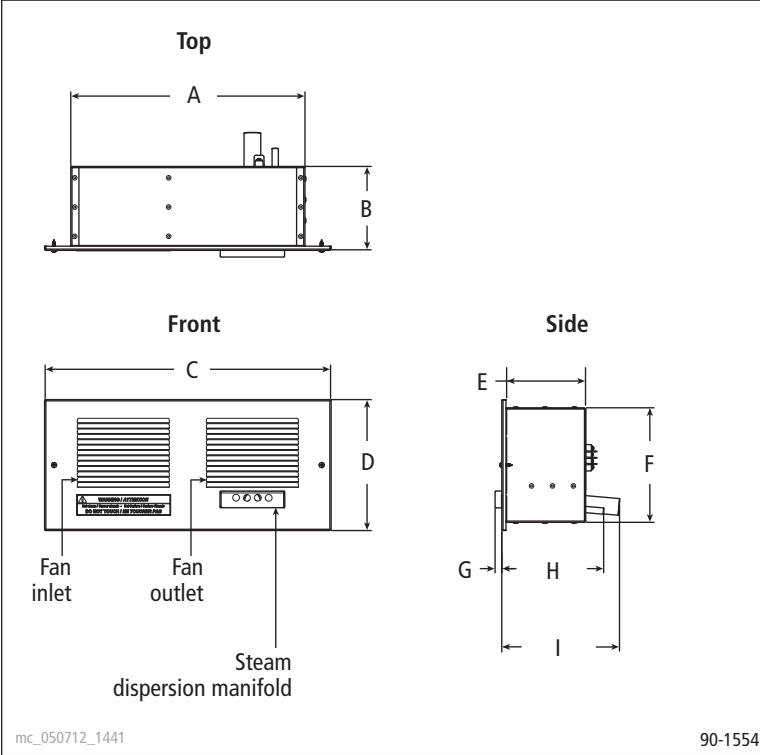


mc_050712_1440

90-1552

XTR fan pack dimensions and specifications

**Figure 8-1:
XTR fan pack dimensions and specifications**



**Table 8-1:
XTR fan pack dimensions**

Dimension	inches	mm
A	14	356
B	5	127
C	17-1/16	433
D	7-13/16	198
E	4-3/4	121
F	6-7/8	175
G	3/8	10
H	6-1/16	154
I	7-1/16	179

mc_050712_1443

**Table 8-2:
XTR fan pack specifications**

Fan pack model	Shipping weight		Operating weight		Sound*
	lbs	kg	lbs	kg	dBA*
SDU-003F	10.4	4.7	8.4	3.8	< 38

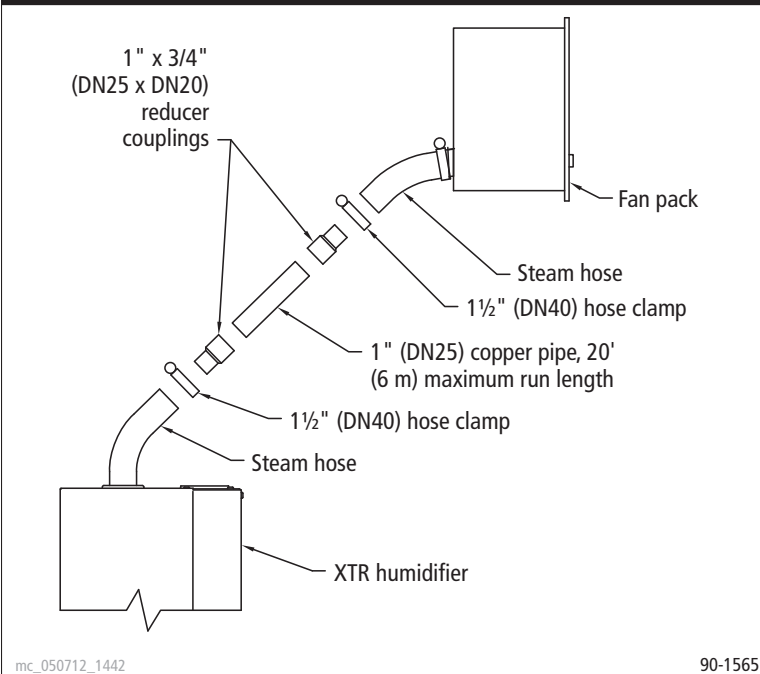
Notes:

* Sound measurement taken 6.5' (2 m) in front of steam blower cabinet.

- Input voltage: 24 VAC, supplied by XTR humidifier.
- Fan pack ships separately from humidifier.

mc_050712_1444

**Figure 8-2:
Extending distance from humidifier to fan pack with copper pipe**



Interconnecting steam hose, tubing, and pipe

To maximize humidifier performance, see Table 9-1, and follow all installation recommendations in the *XTR Installation, Operation, and Maintenance Manual* (available at www.dristeem.com).

Table 9-1:
Maximum steam carrying capacity and length of interconnecting steam hose and tubing*

Developed length of steam hose or insulated tubing*		120V, 60 Hz				208V, 60 Hz				230V, 50 Hz				240V, 60 Hz			
		Steam hose		Insulated tubing		Steam hose		Insulated tubing		Steam hose		Insulated tubing		Steam hose		Insulated tubing	
ft	m	lbs/hr	kg/h	lbs/hr	kg/h	lbs/hr	kg/h	lbs/hr	kg/h	lbs/hr	kg/h	lbs/hr	kg/h	lbs/hr	kg/h	lbs/hr	kg/h
< 2	< 0.6	5.6	2.5	5.6	2.5	9.9	4.5	9.9	4.5	10.8	4.9	10.8	4.9	11.3	5.1	11.3	5.1
2	0.6	5.4	2.5	5.4	2.5	9.8	4.4	9.8	4.4	10.7	4.9	11.2	5.1	11.2	5.1	11.2	5.1
4	1.2	4.9	2.2	5.2	2.4	9.5	4.3	9.8	4.4	10.6	4.8	10.7	4.9	11.1	5.0	11.2	5.1
6	1.8	4.6	2.1	5.1	2.3	9.2	4.2	9.7	4.4	10.4	4.7	10.6	4.8	10.8	4.9	11.1	5.0
8	2.4	—	—	4.8	2.2	—	—	9.5	4.3	—	—	10.6	4.8	—	—	11.1	5.0
10	3.0	—	—	4.7	2.1	—	—	9.5	4.3	—	—	10.6	4.8	—	—	11.1	5.0
12	3.7	—	—	4.7	2.1	—	—	9.1	4.1	—	—	10.4	4.7	—	—	10.9	4.9
14	4.3	—	—	4.4	2.0	—	—	9.0	4.1	—	—	7.0	3.2	—	—	10.8	4.9
16	4.9	—	—	4.4	2.0	—	—	9.0	4.1	—	—	10.2	4.6	—	—	10.7	4.9
18	5.5	—	—	4.4	2.0	—	—	9.0	4.1	—	—	10.1	4.6	—	—	10.6	4.8
20	6.1	—	—	4.4	2.0	—	—	9.0	4.1	—	—	10.0	4.5	—	—	10.5	4.8

Notes:

- * Developed length equals measured length plus 50% of measured length to account for fittings.
- DriSteem recommends 6' (1.8 m) maximum steam hose length pitched at 2" /ft (15%) toward humidifier. Steam hose tends to sag if not supported for its full length, which leads to collecting condensate and system pressure issues. Tubing sags less and can allow for 1/8" /ft (1%) pitch with longer runs.